

**Diaphragm valve DIASTAR TenPlus PVC-U
FC (Fail safe to close)
Unions with solvent cement sockets ASTM**

Model:

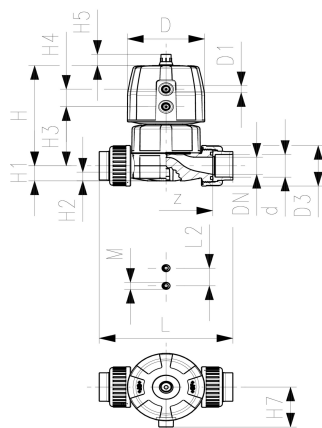
- For easy installation and removal
- Short overall length
- Double flow rate compared to predecessor
- One housing nut replaces four screws
- Rotating air connection at 90° intervals

Option:

- PN16 available as a configuration
- Individual configuration of the valve (see diagram)
- Comprehensive range of accessories available

* PN: PTFE

Working Pressure: **both sides**



kv-value ($\Delta p=1$ bar) (L/min)	DN (mm)	PN (psi)	PN* (bar)	Size (inch)	EPDM Code	SP	Weight (kg)
125	15	150/150*	10/10*	½	161 684 612	1	0.994
271	20	150/150*	10/10*	¾	161 684 613	1	1.123
481	25	150/150*	10/10*	1	161 684 614	1	2.043
759	32	150/150*	10/10*	1 ¼	161 684 615	1	3.286
1263	40	150/150*	10/10*	1 ½	161 684 616	1	5.238
1728	50	150/150*	10/10*	2	161 684 617	1	6.332

PTFE/EPDM Code	SP	Weight (kg)
161 684 632	1	1.002
161 684 633	1	1.135
161 684 634	1	1.965
161 684 635	1	3.306
161 684 636	1	5.268
161 684 637	1	6.150

L (mm)	L2 (mm)	z (mm)	Lift = Hx (mm)	D (mm)	H (mm)	H5 (mm)	H7 (mm)	H2 (mm)	H3 (mm)	H1 (mm)	H4 (mm)	D1_G (inch)	M
141	25	96	7	96	127	16	57	12	68	14	25	½	M6
165	25	114	10	96	132	16	57	12	73	18	25	½	M6
179	25	122	13	120	167	26	69	12	93	22	26	½	M6
204	45	140	15	150	196	26	88	15	101	26	36	¾	M8
230	45	160	19	180	239	26	103	15	124	32	37	¾	M8
267	45	190	23	180	251	26	103	15	137	39	37	¾	M8

The technical data are not binding. They neither constitute expressly warranted characteristics nor guaranteed properties nor a guaranteed durability. They are subject to modification. Our General Terms of Sale apply.

Georg Fischer Piping Systems Ltd, Postfach, CH-8201 Schaffhausen/Switzerland
Phone +41 -(0)52-631 1111
e-mail: info.ps@georgfischer.com
Internet: <http://www.gfps.com>