

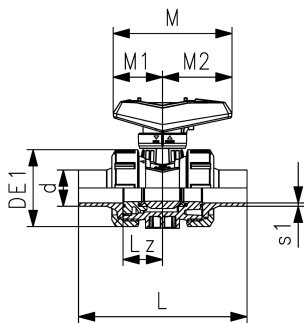
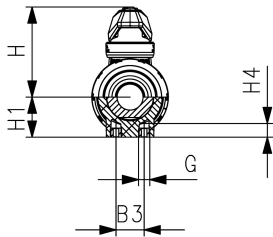
PROGEF Plus Ball Valve type 546 Pro
Silicone free
With butt fusion spigots IR-Plus SDR11 ISO

Model:

- Lockable lever as standard
- Ball seat PVDF
- Integrated stainless steel mounting inserts
- z-dimension, valve end and union nut are compatible with type 546 (1st Generation)

Option:

- Interface module for position feedback sensor with LED (PNP, NPN and NAMUR)
- Manual spring return lever "Dead man" (DN10-25)
- Pneumatic or electric actuators from GF
- Individual configuration of valves possible



| d (mm) | DN (mm) | Size (inch) | PN (bar) | kv-value ($\Delta p=1$ bar) (L/min) | EPDM Code | SP | FKM Code | SP | Weight (kg) |
|-----------|------------|----------------|-------------|--|--------------|----|-------------|----|----------------|
| 20 | 15 | ½ | 10 | 185 | 167 546 662 | 1 | 167 546 672 | 1 | 0.120 |
| 25 | 20 | ¾ | 10 | 350 | 167 546 663 | 1 | 167 546 673 | 1 | 0.180 |
| 32 | 25 | 1 | 10 | 700 | 167 546 664 | 1 | 167 546 674 | 1 | 0.255 |
| 40 | 32 | 1 ¼ | 10 | 1000 | 167 546 665 | 1 | 167 546 675 | 1 | 0.440 |
| 50 | 40 | 1 ½ | 10 | 1600 | 167 546 666 | 1 | 167 546 676 | 1 | 0.620 |
| 63 | 50 | 2 | 10 | 3100 | 167 546 667 | 1 | 167 546 677 | 1 | 1.200 |
| 75 | 65 | 2 ½ | 10 | 5000 | 167 546 668 | 1 | 167 546 678 | 1 | 2.612 |
| 90 | 80 | 3 | 10 | 7000 | 167 546 669 | 1 | 167 546 679 | 1 | 5.500 |
| 110 | 100 | 4 | 10 | 11000 | 167 546 670 | 1 | 167 546 680 | 1 | 8.700 |

| d (mm) | B3 (mm) | DE1 (mm) | G (inch) | H (mm) | H1 (mm) | H4 (mm) | L (mm) | Lz (mm) | M (mm) | M1 (mm) | M2 (mm) | s1 (mm) |
|-----------|------------|-------------|-------------|-----------|------------|------------|-----------|------------|-----------|------------|------------|------------|
| 20 | 25 | 50 | M6 | 60.5 | 27 | 12 | 130 | 28 | 82 | 35 | 47 | 1.9 |
| 25 | 25 | 58 | M6 | 74.0 | 30 | 12 | 143 | 33 | 106 | 44 | 62 | 2.3 |
| 32 | 25 | 68 | M6 | 80.0 | 36 | 12 | 150 | 36 | 106 | 44 | 62 | 3.0 |
| 40 | 45 | 84 | M8 | 95.0 | 44 | 15 | 171 | 43 | 131 | 57 | 74 | 3.7 |
| 50 | 45 | 97 | M8 | 101.5 | 51 | 15 | 191 | 45 | 131 | 57 | 74 | 4.6 |
| 63 | 45 | 124 | M8 | 116.5 | 64 | 15 | 220 | 51 | 152 | 66 | 86 | 5.8 |
| 75 | 70 | 166 | M8 | 169.0 | 85 | 15 | 266 | 68 | 270 | 64 | 205 | 8.2 |
| 90 | 70 | 200 | M8 | 180.0 | 105 | 15 | 264 | 71 | 270 | 64 | 205 | 10.0 |
| 110 | 120 | 238 | M12 | 194.0 | 123 | 22 | 301 | 82 | 326 | 71 | 255 | 12.0 |

The technical data are not binding. They neither constitute expressly warranted characteristics nor guaranteed properties nor a guaranteed durability. They are subject to modification. Our General Terms of Sale apply.

Georg Fischer Piping Systems Ltd, Postfach, CH-8201 Schaffhausen/Switzerland Phone +41 -(0)52-631 1111 e-mail:
 info.ps@georgfischer.com Internet: <http://www.gfps.com>