



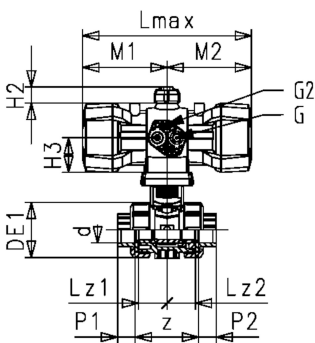
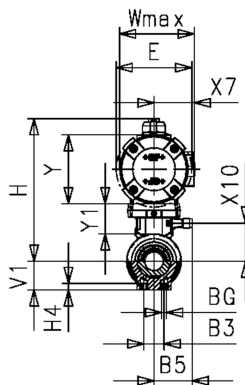
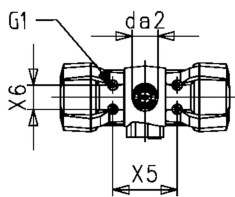
PROGEF Standard PP-H Ball valve type 546 Pro with PPA FC (Fail safe to close)
Without manual override
With fusion sockets metric
4.2 bar control pressure

Model:

- Control pressure supply through integrated NAMUR interface according VDI/VDE 3845 with 4.2 bar (60.9 psi)
- Control time 90° < 1-2s
- For easy installation and removal
- Integrated stainless steel mounting inserts
- Full plastic solution (actuator housing made of PP-GF)
- Visual position indicator
- Z-dimension, valve end and union nut are compatible with type 230 – 235 and 546 (1st Generation)

Option:

- Position feedback sensor, incl. LED feedback (DN10-50) - PNP, NPN and NAMUR
- Positioner RPC, RPC D, RPC PID
- Individual configuration of the valve



d (mm)	DN (mm)	PN (bar)	kv-value (Δp=1 bar) (L/min)	EPDM Code	SP	Weight (kg)	FKM Code	SP	Weight (kg)
20	15	10	185	199 253 603	1	1.002	199 253 613	1	0.996
25	20	10	185	199 253 604	1	1.072	199 253 614	1	1.300
32	25	10	350	199 253 605	1	1.149	199 253 615	1	1.129
40	32	10	700	199 253 606	1	2.500	199 253 616	1	2.500
50	40	10	1000	199 253 607	1	2.185	199 253 617	1	2.800
63	50	10	3100	199 253 608	1	2.719	199 253 618	1	3.700

d (mm)	Actuator	D (mm)	V1 (mm)	H4 (mm)	M1 (mm)	M2 (mm)	G2 (mm)	G (mm)	H3 (mm)	Lz1 (mm)	Lz2 (mm)	Lmax (mm)	E (mm)	Y1 (mm)
20	PPA15	50	27	12	106	106	M5	G 1/4	41	28	28	211	94	35
25	PPA15	58	30	12	106	106	M5	G 1/4	41	33	33	211	94	35
32	PPA15	68	36	12	106	106	M5	G 1/4	45	36	36	211	94	35
40	PPA40	84	44	15	123	123	M5	G 1/4	45	43	43	246	120	35
50	PPA40	97	51	15	123	123	M5	G 1/4	56	45	45	246	120	33
63	PPA40	124	64	15	123	123	M5	G 1/4	56	51	51	246	120	36

d (mm)	Y (mm)	H (mm)	H2 (mm)	X10 (mm)	Wmax (mm)	G1 (mm)	da2 (mm)	X6 (mm)	X5 (mm)	X7 (mm)	P1 (mm)	P2 (mm)	k1 (mm)	b1 (mm)	B3 (mm)
20	68	168	60	38	77	M5	33	30	80	51	14	14	95	56	25
25	68	172	64	42	77	M5	33	30	80	51	16	16	110	65	25
32	68	178	70	47	93	M5	33	30	80	51	18	18	123	71	25
40	91	208	76	57	93	M5	33	30	80	62	20	20	146	85	45
50	91	214	82	63	117	M5	33	30	80	62	23	23	157	89	45
63	91	229	97	78	117	M5	33	30	80	62	27	27	183	101	45

d (mm)	BG	z (mm)
20	M6	67
25	M6	76
32	M6	82
40	M6	97
50	M8	101
63	M8	114

Data sheet



valid from: 2/8/25

The technical data are not binding. They neither constitute expressly warranted characteristics nor guaranteed properties nor a guaranteed durability. They are subject to modification. Our General Terms of Sale apply.

Georg Fischer Piping Systems Ltd, Postfach, CH-8201 Schaffhausen/Switzerland Phone +41 -(0)52-631 1111 e-mail:
info.ps@georgfischer.com Internet: <http://www.gfps.com>