

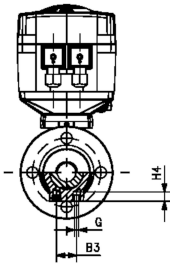
PROGEF 标准型
PP-H 电动球阀 107型 100-230V
 带固定法兰端 公制

型号:

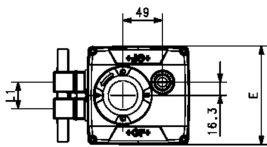
- 防护等级：IP68
- 控制范围：90°
- 内置加热元件，位置反馈（开/关位置）
- 内置不锈钢固定螺孔

选项:

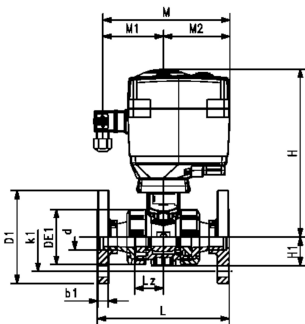
- 提供其他阀门和执行机构配置
- 可选附件：失效返回单元



d (mm)	DN (mm)	Size (inch)	PN (bar)	kv-value ($\Delta p=1$ bar) (l/min)	EPDM code	weight (kg)	FKM code	weight (kg)
20	15	1/2	10	185	199 127 583	2,300	199 127 593	2,300
25	20	3/4	10	350	199 127 584	2,500	199 127 594	2,500
32	25	1	10	700	199 127 585	2,555	199 127 595	2,700
40	32	1 1/4	10	1000	199 127 586	3,200	199 127 596	3,200
50	40	1 1/2	10	1600	199 127 587	3,700	199 127 597	3,700
63	50	2	10	3100	199 127 588	4,800	199 127 598	4,800



d	Actuator	b1	B3	D1	DE1	E	G	H	H1	H4	k1	L	L1	Lz	M
(mm)		(mm)	(mm)	(mm)	(mm)	(mm)	(mm)	(mm)	(mm)	(mm)	(mm)	(mm)	(mm)	(mm)	(mm)
20	EA15	12	25	95	50	122	M6	197	27	12	56	130	33	28	161
25	EA15	12	25	105	58	122	M6	201	30	12	75	150	33	33	161
32	EA15	14	25	115	68	122	M6	207	36	12	85	160	33	36	161
40	EA15	16	45	140	84	122	M6	213	44	15	100	180	33	43	161
50	EA15	16	45	150	97	122	M6	219	51	15	110	200	33	45	161
63	EA15	18	45	165	124	122	M6	234	64	15	125	230	33	51	161



d	M1	M2
(mm)	(mm)	(mm)
20	77	83
25	77	83
32	77	83
40	77	83
50	77	83
63	77	83

The technical data are not binding. They neither constitute expressly warranted characteristics nor guaranteed properties nor a guaranteed durability. They are subject to modification. Our General Terms of Sale apply.

Georg Fischer Piping Systems Ltd, Postfach, CH-8201 Schaffhausen/Switzerland Phone +41 -(0)52-631 1111e-mail:
 info.ps@georgfischer.com Internet: <http://www.gfps.com>