



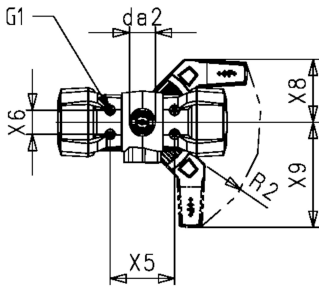
**SYGEF Standard Ball valve type 546 Pro with PPA DA (Double acting)
With manual override
With threaded sockets NPT**

Model:

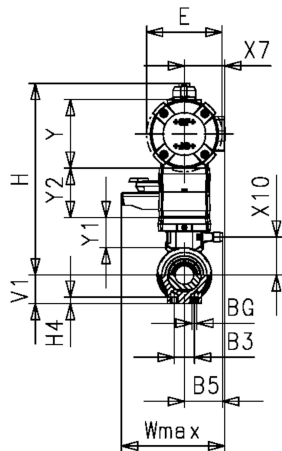
- Control pressure supply through integrated NAMUR interface according VDI/VDE 3845 with 5.6 bar (81.2 psi)
- Control time 90° < 1-2s
- For easy installation and removal
- Integrated stainless steel mounting inserts
- Full plastic solution (actuator housing made of PP-GF)
- Visual position indicator
- Z-dimension, valve end and union nut are compatible with type 230 – 235 and 546 (1st Generation)

Option:

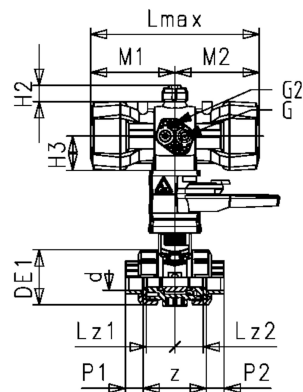
- Position feedback sensor, incl. LED feedback (DN10-50) - PNP, NPN and NAMUR
- Positioner RPC, RPC D, RPC PID
- Individual configuration of the valve



d (mm)	DN (mm)	PN (bar)	kv-value (Δp=1 bar) (l/min)	FKM Code	SP	Weight (kg)
16	10	10	70	199 252 552	0	1.500
20	15	10	185	199 252 553	0	1.500
25	20	10	350	199 252 554	0	1.600
32	25	10	700	199 252 555	0	1.700
40	32	10	1000	199 252 556	0	2.800
50	40	10	1600	199 252 557	0	3.100
63	50	10	3100	199 252 558	0	4.000



d (mm)	Actuator	DE1 (mm)	V1 (mm)	H4 (mm)	M1 (mm)	M2 (mm)	G2 (mm)	G (mm)	H3 (mm)	Lz1 (mm)	Lz2 (mm)	Lmax (mm)	E (mm)	Y1 (mm)
16	PPA08	50	27	12	64	64	M5	M6	41	28	28	128	74	35
20	PPA08	50	27	12	64	64	M5	M6	41	28	28	128	74	35
25	PPA08	58	30	12	64	64	M5	M6	41	33	33	128	74	35
32	PPA08	68	36	12	64	64	M5	M6	41	36	36	128	74	35
40	PPA15	84	44	15	83	83	M5	M6	45	43	43	165	94	33
50	PPA15	97	51	15	83	83	M5	M6	45	45	45	165	94	33
63	PPA40	124	64	15	92	92	M5	M6	56	51	51	184	120	36



d (mm)	Y (mm)	Y2 (mm)	H (mm)	X10 (mm)	B3 (mm)	BG (mm)	Wmax (mm)	G1 (mm)	da2 (mm)	X6 (mm)	X5 (mm)	X8 (mm)	X9 (mm)	R2 (mm)	X7 (mm)
16	75	60	215	35	25	M6	210	M5	33	30	80	78	132	R150	43
20	75	60	215	35	25	M6	210	M5	33	30	80	78	132	R150	43
25	75	60	219	35	25	M6	210	M5	33	30	80	78	132	R150	43
32	75	60	225	35	25	M6	210	M5	33	30	80	78	132	R150	43
40	88	60	244	33	45	M8	210	M5	33	30	80	78	132	R150	51
50	88	60	250	33	45	M8	210	M5	33	30	80	78	132	R150	51
63	111	60	288	36	45	M8	210	M5	33	30	80	78	132	R150	62

d (mm)	H2 (mm)	P1 (mm)	P2 (mm)	z (mm)
16	20	12	12	68
20	20	14	14	67
25	20	17	17	76
32	20	21	21	82
40	20	24	24	98
50	20	29	29	99
63	20	36	36	111

Data sheet

valid from: 3/30/26



The technical data are not binding. They neither constitute expressly warranted characteristics nor guaranteed properties nor a guaranteed durability. They are subject to modification. Our General Terms of Sale apply.

Georg Fischer Piping Systems Ltd, Postfach, CH-8201 Schaffhausen/Switzerland Phone +41 -(0)52-631 1111 e-mail:
info.ps@georgfischer.com Internet: <http://www.gfps.com>