

**Diaphragm valve DIASTAR TenPlus PVC-U OF FC (Fail safe to close) low pressure Unions with solvent cement sockets JIS**

**Model:**

- Double flow rate compared to predecessor
- One housing nut replaces four screws
- Rotating air connection at 90° intervals
- For easy installation and removal
- Oil free
- Short overall length

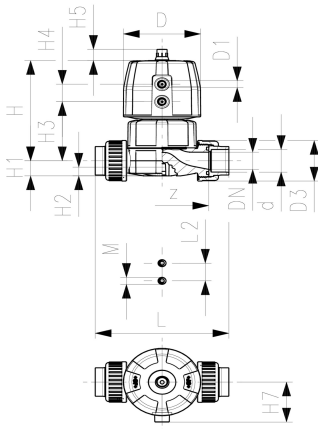
**Option:**

- Individual configuration of the valve
- Comprehensive range of accessories available
- 232 PSI available as a configuration

\* PN: PTFE

Working Pressure: **both sides**

\* O-Ring material: FKM



d (mm)	DN (mm)	Size (inch)	PN (bar)	PN* (bar)	kv-value (Δp=1 bar) (l/min)	EPDM Code	SP	Weight (kg)
20	15	½	10	8*	125	<b>161 684 822</b>	1	1.131
25	20	¾	10	8*	271	<b>161 684 823</b>	1	1.121
32	25	1	10	8*	481	<b>161 684 824</b>	1	2.046
40	32	1 ¼	10	8*	759	<b>161 684 825</b>	1	3.296
50	40	1 ½	10	8*	1263	<b>161 684 826</b>	1	5.254
63	50	2	10	6*	1728	<b>161 684 827</b>	1	6.130

PTFE/EPDM Code	SP	Weight (kg)
<b>161 684 872</b>	1	1.142
<b>161 684 873</b>	1	1.132
<b>161 684 874</b>	1	1.963
<b>161 684 875</b>	1	3.316
<b>161 684 876</b>	1	5.284
<b>161 684 877</b>	1	6.158

D (mm)	D1_G (inch)	H (mm)	H1 (mm)	H2 (mm)	H3 (mm)	H4 (mm)	H5 (mm)	H7 (mm)	L (mm)	L2 (mm)	M	z (mm)	Lift = Hx (mm)
96	¾	132	18	12	73	25	16	57	152	25	M6	120	10
96	¾	132	18	12	73	25	16	57	152	25	M6	114	10
120	½	167	22	12	93	26	26	69	166	25	M6	122	13
150	¼	196	26	15	101	36	26	88	192	45	M8	140	15
180	¼	239	32	15	124	37	26	103	222	45	M8	160	19
180	¼	251	39	15	137	37	26	103	266	45	M8	190	23

The technical data are not binding. They neither constitute expressly warranted characteristics nor guaranteed properties nor a guaranteed durability. They are subject to modification. Our General Terms of Sale apply.

Georg Fischer Piping Systems Ltd, Postfach, CH-8201 Schaffhausen/Switzerland Phone +41 -(0)52-631 1111 e-mail: info.ps@georgfischer.com Internet: <http://www.gfps.com>