

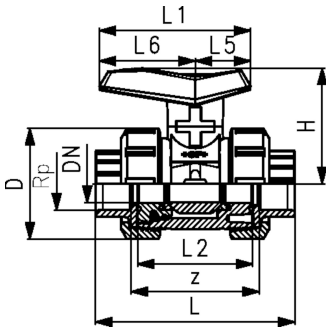
Ball valve type 542
With PVC-U threaded socket (Rp)

Model:

- For easy installation and removal
- Ball seals PE/ blue lever
- For water application

Option:

- Individual configuration of the valve possible
- Assembling of a valve tag possible



d (mm)	DN (mm)	Thread Type	Size (inch)	PN (bar)	kv-value ($\Delta p=1$ bar) (L/min)	EPDM Code	GP	Weight (kg)
16	10	Rp	3/8	16	71	161 541 021		0.150
20	15	Rp	1/2	16	185	161 541 022		0.155
25	20	Rp	3/4	16	350	161 541 023		0.238
32	25	Rp	1	16	700	161 541 024		0.348
40	32	Rp	1 1/4	16	1000	161 541 025		0.603
50	40	Rp	1 1/2	16	1600	161 541 026		0.800
63	50	Rp	2	16	3100	161 541 027		1.575

d (mm)	D (mm)	H (mm)	L (mm)	L1 (mm)	L2 (mm)	L5 (mm)	L6 (mm)	z (mm)
16	50	54	95	72	56	26	46	69
20	50	54	100	72	56	26	46	67
25	58	66	115	93	65	34	59	79
32	68	71	128	93	71	34	59	86
40	84	85	146	110	85	41	69	100
50	97	92	152	110	89	41	69	106
63	124	108	177	128	101	49	79	122

The technical data are not binding. They neither constitute expressly warranted characteristics nor guaranteed properties nor a guaranteed durability. They are subject to modification. Our General Terms of Sale apply.

Georg Fischer Piping Systems Ltd, Postfach, CH-8201 Schaffhausen/Switzerland Phone +41 -(0)52-631 1111 e-mail: info.ps@georgfischer.com Internet: <http://www.gfps.com>