

**Diaphragm valve DIASTAR Ten PVC-U**  
**FO (Fail safe to open)**  
**Unions with solvent cement sockets metric**

**Model:**

- Double flow rate compared to predecessor
- One housing nut replaces four screws
- Rotating air connection at 90° intervals
- For easy installation and removal
- Short overall length

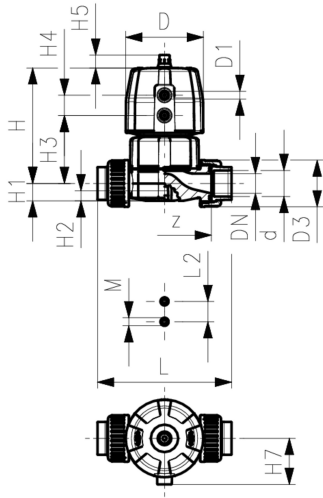
**Option:**

- Individual configuration of the valve
- Comprehensive range of accessories available
- PN16 available as a configuration

\* PN: PTFE

Working Pressure: **one side**

\* O-Ring material: FKM



d	DN	Size	PN	PN*	kv-value	EPDM	SP	Weight
(mm)	(mm)	(inch)	(bar)	(bar)	( $\Delta p=1$ bar)	Code		(kg)
					(l/min)			
16	10	3/8	10	10*	125	161 644 011	1	0.542
20	15	1/2	10	10*	125	161 644 012	1	0.542
25	20	3/4	10	10*	271	161 644 013	1	1.308
32	25	1	10	10*	481	161 644 014	1	1.198
40	32	1 1/4	10	10*	759	161 644 015	1	1.935
50	40	1 1/2	10	10*	1263	161 644 016	1	3.271
63	50	2	10	6*	1728	161 644 017	1	4.765

d	PTFE/ EPDM*	SP	Weight
(mm)	Code		(kg)
16	161 644 031	1	0.552
20	161 644 032	1	0.506
25	161 644 033	1	0.958
32	161 644 034	1	1.154
40	161 644 035	1	1.876
50	161 644 036	1	3.316
63	161 644 037	1	3.979

d	D	D1_G	H	H1	H2	H3	H4	H5	H7	L	L2	M	z	Lift = Hx
(mm)	(mm)	(inch)	(mm)	(mm)	(mm)	(mm)	(mm)	(mm)	(mm)	(mm)	(mm)		(mm)	(mm)
16	68	1/8	101	14	12	60	24	16	43	170	25	M6	142	7
20	68	1/8	101	14	12	60	24	16	43	128	25	M6	96	7
25	96	1/8	132	18	12	73	25	16	57	152	25	M6	114	10
32	96	1/8	143	22	12	84	25	16	57	166	25	M6	122	13
40	120	1/8	173	26	15	99	26	26	69	192	45	M8	140	15
50	150	1/4	214	32	15	119	36	26	88	222	45	M8	160	19
63	150	1/4	226	39	15	132	36	26	88	266	45	M8	190	23

d	closest inch
(mm)	(inch)
16	3/8
20	1/2
25	3/4
32	1
40	1 1/4
50	1 1/2
63	2

# Data sheet

valid from: 3/12/25

---



The technical data are not binding. They neither constitute expressly warranted characteristics nor guaranteed properties nor a guaranteed durability. They are subject to modification. Our General Terms of Sale apply.

Georg Fischer Piping Systems Ltd, Postfach, CH-8201 Schaffhausen/Switzerland Phone +41 -(0)52-631 1111 e-mail:  
info.ps@georgfischer.com Internet: <http://www.gfps.com>