

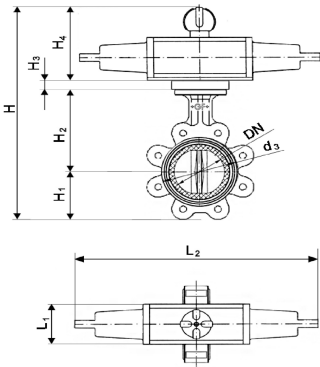
Lug-Style, end Installation butterfly valve metal type 038
With pneumatic actuator - fail safe to close (FC)
Flange standard metric - PN10
Disc: alu-bronze

Model:

- Lug Style
- Body GGG40 (A 395 / A395 M-99, EN-JIS 1020 EN1563) Rilsan® coating
- Installation length: EN 558 row 20
- Interface according to DIN EN ISO 5211
- Pressure range: 10 bar (DN 50-200); 6 bar (DN 250); 4 bar (DN 300 - 600)
- Axis DN50 - DN300: Single-piece axis with square profile, material stainless steel DIN Norm 1.4021
- Flange connection: DN50 - DN300: PN6, PN10, ANSI 125/150 Lbs., BS 10-D/E

Option:

- Other liner material on request



d (mm)	DN (mm)	Size (inch)	PN (bar)	kv-value (Δp=1 bar) (l/min)	Liner: EPDM Code	SP	Weight (kg)
63	50	2	10	3140	199 038 452	1	5.32
75	65	2 ½	10	4570	199 038 453	1	7.20
90	80	3	10	7140	199 038 454	1	9.21
110	100	4	10	11710	199 038 455	1	12.80
140	125	5	10	18570	199 038 456	1	17.70
160	150	6	10	27130	199 038 457	1	20.86
225	200	8	10	47130	199 038 458	1	32.08
280	250	10	10	77110	199 038 459	1	46.71
315	300	12	10	114240	199 038 460	1	67.23

d (mm)	Type of actuator	H (mm)	H1 (mm)	H2 (mm)	H3 (mm)	H4 (mm)	L1 (mm)	L2 (mm)
63	PA30	321	63	140	15	103	65	272
75	PA30	343	73	152	15	103	65	272
90	PA35	365	81	159	12	113	72	336
110	PA40	420	97	178	15	130	80	364
140	PA45	455	112	191	12	140	90	403
160	PA50	487	122	203	12	150	100	418
225	PA60	580	149	245	12	174	124	497
280	PA60	672	203	275	20	174	124	497
315	PA70	774	241	315	20	198	145	652

The technical data are not binding. They neither constitute expressly warranted characteristics nor guaranteed properties nor a guaranteed durability. They are subject to modification. Our General Terms of Sale apply.

Georg Fischer Piping Systems Ltd, Postfach, CH-8201 Schaffhausen/Switzerland Phone +41 -(0)52-631 1111 e-mail:
 info.ps@georgfischer.com Internet: <http://www.gfps.com>