



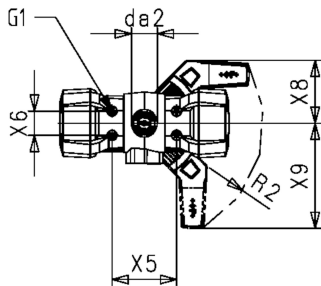
**PVC-U Ball valve type 546 Pro with PPA
FC (Fail Safe to Close)
With solvent cement sockets PVC-U ASTM
With manual override**

Model:

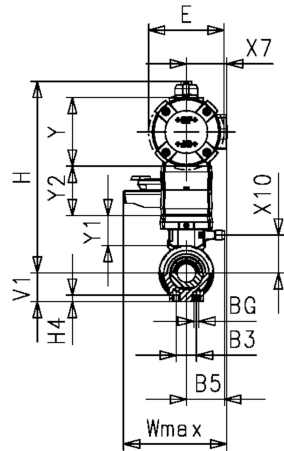
- Control pressure supply through integrated NAMUR interface according VDI/VDE 3845 with 5.6 bar (81.2 psi)
- Control time 90° < 1-2s
- For easy installation and removal
- Integrated stainless steel mounting inserts
- Full plastic solution (actuator housing made of PP-GF)
- Visual position indicator
- Z-dimension, valve end and union nut are compatible with type 230 – 235 and 546 (1st Generation)

Option:

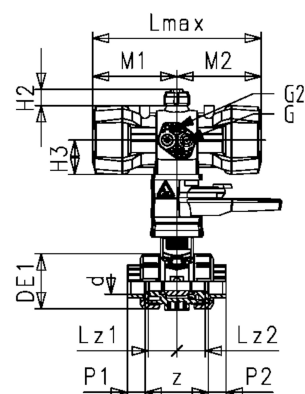
- Position feedback sensor, incl. LED feedback (DN10-50) - PNP, NPN and NAMUR
- Positioner RPC, RPC D, RPC PID
- Individual configuration of the valve



d	Size	DN	PN	Cv-value	EPDM	SP	weight	FKM	SP	weight
(mm)	(inch)	(mm)	(bar)	(l/min)	Code		(kg)	Code		(kg)
16	3/8	10	10	70	199 253 002	1	1.500	199 253 012	1	1.500
20	1/2	15	10	185	199 253 003	1	1.500	199 253 013	1	1.285
25	3/4	20	10	350	199 253 004	1	1.600	199 253 014	1	1.600
32	1	25	10	700	199 253 005	1	1.483	199 253 015	1	1.700
40	1 1/4	32	10	1000	199 253 006	1	2.800	199 253 016	1	2.800
50	1 1/2	40	10	1600	199 253 007	1	3.100	199 253 017	1	3.100
63	2	50	10	3100	199 253 008	1	3.386	199 253 018	1	4.000



Actuator	DE1	V1	H4	M1	M2	G2	G	H3	Lz1	Lz2	Lmax	E	Y1	Y
	(mm)	(mm)	(mm)	(mm)	(mm)	(mm)	(mm)	(mm)	(mm)	(mm)	(mm)	(mm)	(mm)	(mm)
PPA08	50	27	12	80	80	M5	G 1/4	41	28	28	159	74	35	75
PPA08	50	27	12	80	80	M5	G 1/4	41	28	28	159	74	35	75
PPA08	58	30	12	80	80	M5	G 1/4	41	33	33	159	74	35	75
PPA15	68	36	12	106	106	M5	G 1/4	45	36	36	211	94	35	88
PPA15	84	44	15	106	106	M5	G 1/4	45	43	43	211	94	33	88
PPA40	97	51	15	123	123	M5	G 1/4	56	45	45	246	120	33	111
PPA40	124	64	15	123	123	M5	G 1/4	56	51	51	246	120	36	111



Y2	H	X10	B3	BG	Wmax	G1	da2	X6	X5	X8	X9	R2	X7	H2	P1
(mm)	(mm)	(mm)	(mm)	(mm)	(mm)	(mm)	(mm)	(mm)	(mm)	(mm)	(mm)	(mm)	(mm)	(mm)	(mm)
60	215	35	25	M6	210	M5	33	30	80	78	132	R150	43	20	12
60	215	35	25	M6	210	M5	33	30	80	78	132	R150	43	20	14
60	219	35	25	M6	210	M5	33	30	80	78	132	R150	43	20	17
60	238	35	25	M6	210	M5	33	30	80	78	132	R150	51	20	21
60	244	33	45	M8	210	M5	33	30	80	78	132	R150	51	20	24
60	273	33	45	M8	210	M5	33	30	80	78	132	R150	62	20	29
60	288	36	45	M8	210	M5	33	30	80	78	132	R150	62	20	36

P2	z
(mm)	(mm)
12	68
14	67
17	76
21	82
24	98
29	99
36	111

Data sheet



valid from: 2/8/25

The technical data are not binding. They neither constitute expressly warranted characteristics nor guaranteed properties nor a guaranteed durability. They are subject to modification. Our General Terms of Sale apply.

Georg Fischer Piping Systems Ltd, Postfach, CH-8201 Schaffhausen/Switzerland Phone +41 -(0)52-631 1111 e-mail:
info.ps@georgfischer.com Internet: <http://www.gfps.com>