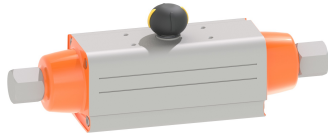


Data sheet

valid from: 8/27/24



Pneumatic actuator type PA30 PA90 Fail safe to close/fail safe to open (FC/FO)

* Only valid for butterfly valve type 240, 241, 242 and ball valve type 230 - 235

Type	hard anodized Code	SP weight (kg)	nickel plated Code	SP weight (kg)
PA 30 FC/FO	198 800 757	1 2.022	198 800 034	0 2.400
* PA 30 FO	198 811 025	1 2.020		
PA 35 FC/FO	198 800 037	1 2.673	198 800 052	0 2.400
* PA 35 FO	198 811 026	1 2.675		
PA 40 FC/FO	198 800 728	1 3.602	198 800 004	1 3.598
* PA 40 FO	198 811 027	1 3.623		
PA 45 FC/FO	198 800 039	1 4.962	198 800 054	0 4.600
* PA45 FO	198 811 028	1 4.944		
PA 50 FC/FO	198 800 729	1 6.921	198 800 005	1 6.921
* PA50 FO	198 811 029	1 6.819		
PA 55 FC/FO	198 800 041	1 9.354	198 800 056	0 9.400
* PA 55 FO	198 811 030	0 9.203		
PA 60 FC/FO	198 800 730	1 11.371	198 800 006	0 12.895
PA 65 FC/FO	198 800 043	1 15.900	198 800 058	0 15.900
PA 70 FC/FO	198 800 731	1 18.758	198 800 007	0 19.496
* PA 70 FO	198 811 198	1 18.750		

Type	hard anodized with stroke limiter Code	weight (kg)	epoxy coated Code	SP weight (kg)
PA 30 FC/FO			198 811 194	0 2.400
* PA 30 FO				
PA 35 FC/FO			198 800 029	1 2.400
* PA 35 FO				
PA 40 FC/FO	198 800 017	3.598	198 800 025	1 3.598
* PA 40 FO				
PA 45 FC/FO				
* PA45 FO				
PA 50 FC/FO	198 800 018	6.921	198 800 026	1 6.921
* PA50 FO				
PA 55 FC/FO			198 811 190	1 9.424
* PA 55 FO				
PA 60 FC/FO	198 800 019	12.895		
PA 65 FC/FO				
PA 70 FC/FO	198 800 020	19.496	198 800 028	1 19.496
* PA 70 FO				

Type	Standard	D1 (mm)	D2 (mm)	D3 (mm)	D4 (inch)	D5 (mm)	L (mm)	L2 (mm)	L3 (mm)	L4 (mm)	L5 (mm)
PA 30 FC/FO	F04	42	30	M5x9		10	272	11	35	70	32
* PA 30 FO	F04	42	30	M5x9	3/8	10	272	11	35	70	32
PA 35 FC/FO	F05	50	35	M6x11		12	336	14	35	70	32
* PA 35 FO	F05	50	35	M6x11	3/8	12	336	14	35	70	32
PA 40 FC/FO	F05	50	35	M6x11		12	364	14	35	70	32
* PA 40 FO	F05	50	35	M6x11	3/8	12	364	14	35	70	32
PA 45 FC/FO	F07	70	55	M8x15	3/8	15	403	17	35	70	32
* PA45 FO	F07	70	55	M8x15	3/8	15	403	17	35	70	32
PA 50 FC/FO	F07	70	55	M8x15		15	418	17	35	70	32
* PA50 FO	F07	70	55	M8x15	3/8	15	418	17	35	70	32
PA 55 FC/FO	F10	102	70	M10x17		19	478	22	35	70	32
* PA 55 FO	F10	102	70	M10x17	3/8	19	478	22	35	70	32

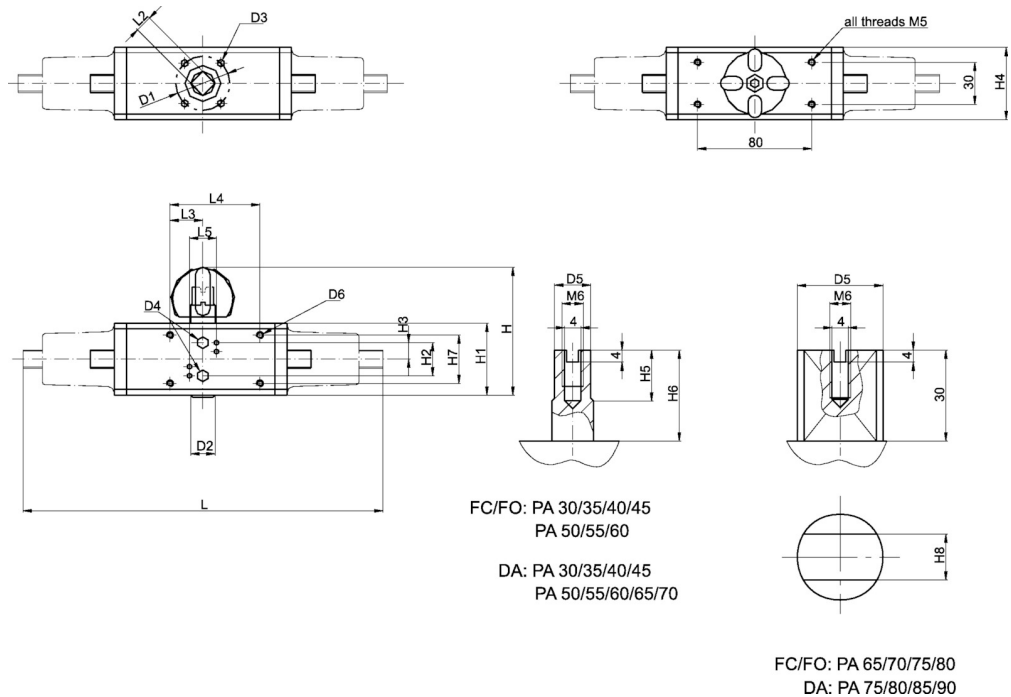
Data sheet

valid from: 8/27/24



Type	Standard	D1 (mm)	D2 (mm)	D3 (mm)	D4 (inch)	D5 (mm)	L (mm)	L2 (mm)	L3 (mm)	L4 (mm)	L5 (mm)
PA 60 FC/FO	F10	102	70	M10x17	⅜	19	497	22	35	70	32
PA 65 FC/FO	F12	125	85	M12x21	¼		617	27			32
PA 70 FC/FO	F12	125	85	M12x21			652	27			32
* PA 70 FO	F12	125	85	M12x21	¼		652	27			32

Type	H (mm)	H1 (mm)	H2 (mm)	H3 (mm)	H4 (mm)	H5 (mm)	H6 (mm)	H7 (mm)	H8 (mm)
PA 30 FC/FO	102	70	21	18	65	13	20	36	
* PA 30 FO	102	70	21	18	65	13	20	36	
PA 35 FC/FO	111	78	21	18	72	13	20	36	
* PA 35 FO	111	78	21	18	72	13	20	36	
PA 40 FC/FO	129	86	25	21	80	13	30	36	
* PA 40 FO	129	86	25	21	80	13	30	36	
PA 45 FC/FO	139	96	25	21	90	16	30	36	
* PA45 FO	139	96	25	21	90	16	30	36	
PA 50 FC/FO	149	106	25	26	100	17	30	36	
* PA50 FO	149	106	25	26	100	17	30	36	
PA 55 FC/FO	161	118	25	25	112	19	30	36	
* PA 55 FO	161	118	25	25	112	19	30	36	
PA 60 FC/FO	173	130	25	32	124	19	30	36	
PA 65 FC/FO	191	148	24	34	137				22
PA 70 FC/FO	196	153	24	38	145				24
* PA 70 FO	196	153	24	38	145				24



The technical data are not binding. They neither constitute expressly warranted characteristics nor guaranteed properties nor a guaranteed durability. They are subject to modification. Our General Terms of Sale apply.

Georg Fischer Piping Systems Ltd, Postfach, CH-8201 Schaffhausen/Switzerland Phone +41 -(0)52-631 1111 e-mail: info.ps@georgfischer.com Internet: <http://www.gfps.com>