



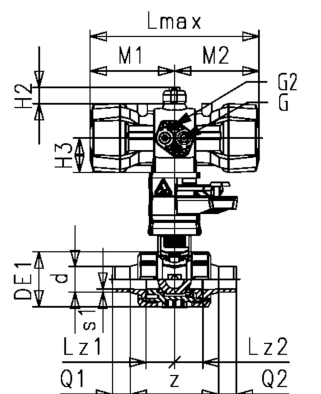
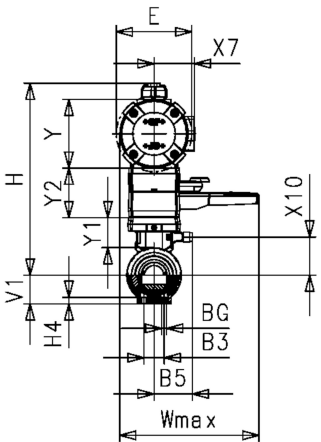
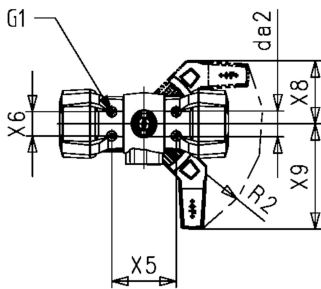
**PROGEF Standard PP-H Ball valve type 546 Pro with PPA
FO (Fail safe to open)
With manual override
With butt fusion spigots IR SDR 11
4.2 bar control pressure**

Model:

- Control pressure supply through integrated NAMUR interface according VDI/VDE 3845 with 4.2 bar (60.9 psi)
- Control time 90° < 1-2s
- For easy installation and removal
- Integrated stainless steel mounting inserts
- Full plastic solution (actuator housing made of PP-GF)
- Visual position indicator
- Z-dimension, valve end and union nut are compatible with type 230 – 235 and 546 (1st Generation)

Option:

- Position feedback sensor, incl. LED feedback (DN10-50) - PNP, NPN and NAMUR
- Positioner RPC, RPC D, RPC PID
- Individual configuration of the valve



d	Size	PN	DN	kv-value	EPDM	SP	Weight	FKM	SP	Weight
(mm)	(inch)	(bar)	(mm)	($\Delta p=1$ bar)	Code		(kg)	Code		(kg)
20	½	10	15	185	199 252 263	1	1.280	199 252 273	1	1.570
25	¾	10	20	350	199 252 264	1	1.360	199 252 274	1	1.360
32	1	10	25	700	199 252 265	1	1.430	199 252 275	1	1.430
40	1 ¼	10	32	1000	199 252 266	1	2.360	199 252 276	1	2.370
50	1 ½	10	40	1600	199 252 267	1	2.520	199 252 277	1	2.530
63	2	10	50	3100	199 252 268	1	3.120	199 252 278	1	3.100

Actuator	d/Do1	DE1	s1	M1	M2	Lmax	G2	G	H3	Lz1	Lz2	Q1	Q2	z
	(mm)	(mm)	(mm)	(mm)	(mm)	(mm)	(mm)	(mm)	(mm)	(mm)	(mm)	(mm)	(mm)	(mm)
PPA15	20	50	2.3	106	106	211	M5	G 1/4	41	48	48	17	17	96
PPA15	25	58	2.9	106	106	211	M5	G 1/4	41	56	56	16	16	111
PPA15	32	68	3.7	106	106	211	M5	G 1/4	45	59	59	16	16	118
PPA40	40	84	4.6	123	123	246	M5	G 1/4	45	67	67	19	19	133
PPA40	50	97	5.8	123	123	246	M5	G 1/4	56	74	74	22	22	147
PPA40	63	124	6.8	123	123	246	M5	G 1/4	56	85	85	26	26	169

E	X7	Y1	Y2	Y	H	H2	X10	B3	BG	Wmax	V1	H4	G1	da2	X6
(mm)	(mm)	(mm)	(mm)	(mm)	(mm)	(mm)	(mm)	(mm)		(mm)	(mm)	(mm)	(mm)	(mm)	(mm)
94	51	35	60	68	168	20	38	25	M6	94	30	12	M5	33	30
94	51	35	60	68	172	20	42	25	M6	103	37	12	M5	33	30
94	51	35	60	68	178	20	47	25	M6	115	42	12	M5	33	30
120	62	33	60	91	208	20	57	45	M8	138	49	15	M5	33	30
120	62	33	60	91	214	20	63	45	M8	148	55	15	M5	33	30
120	62	36	60	91	229	20	78	45	M8	163	64	15	M5	33	30

X5	X8	X9	R2
(mm)	(mm)	(mm)	(mm)
80	78	132	R150
80	78	132	R150
80	78	132	R150
80	78	132	R150
80	78	132	R150
80	78	132	R150

Data sheet

valid from: 3/30/26



The technical data are not binding. They neither constitute expressly warranted characteristics nor guaranteed properties nor a guaranteed durability. They are subject to modification. Our General Terms of Sale apply.

Georg Fischer Piping Systems Ltd, Postfach, CH-8201 Schaffhausen/Switzerland Phone +41 -(0)52-631 1111 e-mail:
info.ps@georgfischer.com Internet: <http://www.gfps.com>