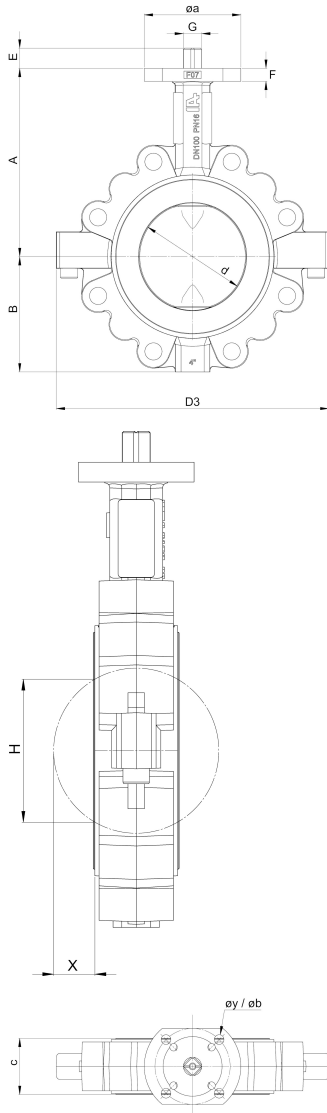




SYGEF plus超纯型
PVDF-HP 蝶阀 065型
 裸轴
 凸耳式# 适配美标法兰 ANSI/ASME

型号:

- 法兰尺寸 : ANSI B16.5 150lb
- 阀体内衬PTFE
- 蝶板材质 : PFA包覆不锈钢
- 密封性能符合EN12226 A级泄露率或API598要求



d	DN	Size	PN	code	weight
(mm)	(mm)	(inch)	(bar)		(kg)
63	50	2	16	160 065 100	3,200
75	65	2 1/2	16	160 065 101	6,200
90	80	3	16	160 065 102	6,200
110	100	4	16	160 065 103	9,300
160	150	6	16	160 065 104	12,900
225	200	8	16	160 065 105	22,300
280	250	10	10	160 065 106	32,400
315	300	12	10	160 065 107	46,900
350	350	14	6	160 065 108	87,000

d	A	B	C	H	X	D1	D3	Acc.to ISO	a	G	E
(mm)	(mm)	(mm)	(mm)	(mm)	(mm)	(mm)	(mm)	5211	(mm)	(mm)	(mm)
63	134	68	43	26	9	118,4	162	F05	65	11	12
75	145	78	46	39	7	132,5	170	F05	65	11	12
90	160	92	46	66	17	144,0	216	F05	65	11	12
110	175	107	52	86	24	173,0	254	F05/07	90	14	16
160	194	120	56	112	35	219,0	293	F05/07	90	14	16
225	210	134	56	140	47	247,0	315	F07	90	17	19
280	239	162	60	191	70	295,0	389	F07/10	125	17	19
315	275	199	68	241	91	367,0	483	F10	125	22	24
350	310	230	78	290	111	419,0	543	F10	125	22	24

The technical data are not binding. They neither constitute expressly warranted characteristics nor guaranteed properties nor a guaranteed durability. They are subject to modification. Our General Terms of Sale apply.

Georg Fischer Piping Systems Ltd, Postfach, CH-8201 Schaffhausen/Switzerland Phone +41 -(0)52-631 1111 e-mail: info.ps@georgfischer.com Internet: <http://www.gfps.com>