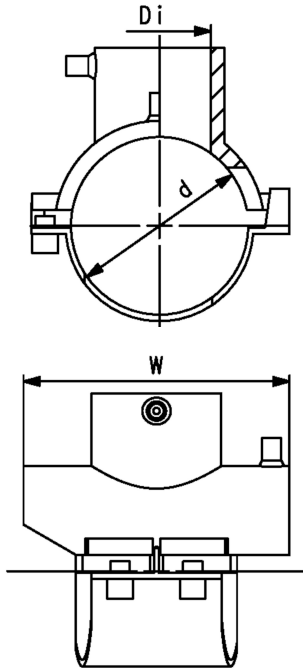




**ELGEF Plus Electrofusion saddle PE100**  
**d63-400mm / SDR11**

- 10 bar Gas / 16 bar Water
  - Complete with lower part
  - 4 mm pin connectors
  - Limited path fusion indicators
  - In combination with parts of the modular System, the SDR compatibility is defined by the tapping-tees, tapping-valves and spigots with cutter.
- \*In preparation



d (mm)	Di (mm)	DN (mm)	PN (bar)	Code	Weight (kg)	W (mm)	Suitable for
63	63	50	16	<b>193 137 037</b>	0.325	164	SDR Pipe 9-11
75	63	65	16	<b>193 137 047</b>	0.455	164	SDR Pipe 9-11
90	63	80	16	<b>193 137 057</b>	0.415	164	SDR Pipe 9-11
110	63	100	16	<b>193 137 067</b>	0.458	164	SDR Pipe 9-17.6
125	63	100	16	<b>193 137 077</b>	0.502	164	SDR Pipe 9-17.6
140	63	125	16	<b>193 137 087</b>	0.523	164	SDR Pipe 9-17.6
160	63	150	16	<b>193 137 097</b>	0.493	164	SDR Pipe 9-17.6
180	63	150	16	<b>193 137 107</b>	0.600	164	SDR Pipe 9-26
200	63	200	16	<b>193 137 117</b>	0.634	164	SDR Pipe 9-26
225	63	200	16	<b>193 137 127</b>	0.618	164	SDR Pipe 9-26
250	63	250	16	<b>193 137 137</b>	0.627	164	SDR Pipe 9-26
280	63	250	16	<b>193 137 147</b>	0.359	164	SDR Pipe 9-26
315	63	300	16	<b>193 137 157</b>	0.373	164	SDR Pipe 9-33
355	63	350	16	<b>193 137 167</b>	0.373	164	SDR Pipe 9-33
400	63	400	16	<b>193 137 177</b>	0.356	164	SDR Pipe 9-33

The technical data are not binding. They neither constitute expressly warranted characteristics nor guaranteed properties nor a guaranteed durability. They are subject to modification. Our General Terms of Sale apply.

Georg Fischer Piping Systems Ltd, Postfach, CH-8201 Schaffhausen/Switzerland Phone +41 -(0)52-631 1111 e-mail:  
 info.ps@georgfischer.com Internet: <http://www.gfps.com>