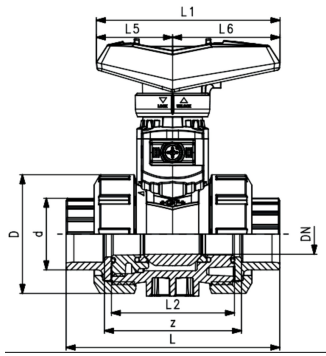




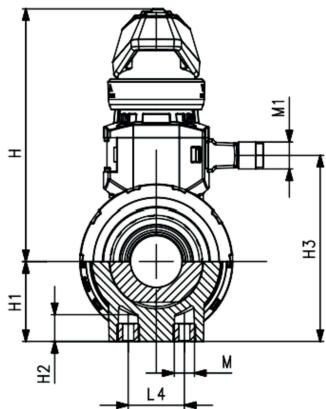
Ball valve type 546 Pro PVC-U With electrical position feedback

Model:

- Material: PVC-U
- Double sensor (red=open/ green= close) enables electric position feedback, incl LED
- For additional information on double sensor, please see datasheet for 198546001
- Lockable lever as standard (DN10-DN50)
- For easy installation and removal
- Ball seat PTFE
- Integrated stainless steel mounting inserts
- Z-dimension, valve end and union nut **are compatible** with type 546 (1st Generation)



d (mm)	DN (mm)	PN (bar)	kv-value ($\Delta p=1$ bar) (L/min)	EPDM Code	FKM Code	SP	Weight (kg)
16	10	16	71	800 063 762	800 063 767	1	0.200
20	15	16	185	800 063 760	800 063 768	1	0.400
25	20	16	350	800 063 763	800 063 769	1	0.500
32	25	16	700	800 063 530	800 063 770	1	0.800
40	32	16	1000	800 063 764	800 063 771	1	1.300
50	40	16	1600	800 063 531	800 063 772	1	1.500
63	50	16	3100	800 063 765	800 063 773	1	2.500



d (mm)	D (mm)	H (mm)	H1 (mm)	H2 (mm)	L (mm)	L1 (mm)	L2 (mm)	L4 (mm)	L5 (mm)	L6 (mm)	M	z (mm)
16	50	93	27	12	92	82	56	25	35	47	M6	79
20	50	93	27	12	95	82	56	25	44	62	M6	67
25	58	106	30	12	110	105	65	25	44	62	M6	76
32	68	112	36	12	123	105	71	25	57	74	M8	82
40	84	128	44	15	146	131	85	45	57	74	M8	98
50	97	135	51	15	157	131	89	45	57	86	M8	99
63	124	153	64	15	183	152	101	45	66	74	M8	111

The technical data are not binding. They neither constitute expressly warranted characteristics nor guaranteed properties nor a guaranteed durability. They are subject to modification. Our General Terms of Sale apply.

Georg Fischer Piping Systems Ltd, Postfach, CH-8201 Schaffhausen/Switzerland Phone +41 -(0)52-631 1111 e-mail: info.ps@georgfischer.com Internet: <http://www.gfps.com>