

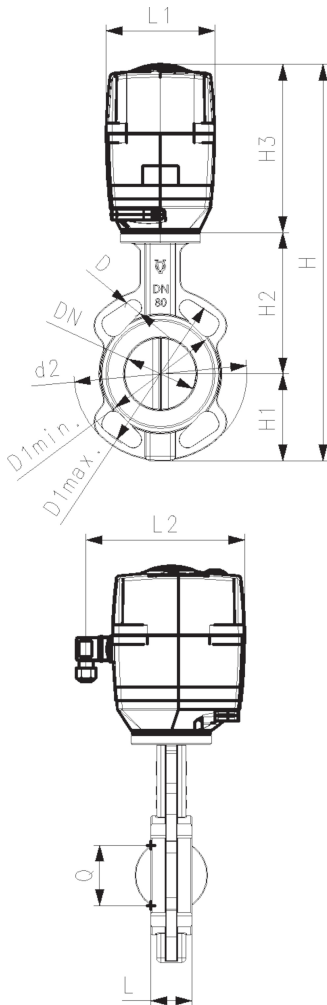
Wafer-Style, intermediate installation butterfly valve metal type 039
With electric actuator 230V
Flange standard Metric/Inch/ASTM - PN10
Disc: alu bronze

Model:

- Wafer Style
- Body GGG40 (A 395 / A395 M-99, EN-JIS 1020 EN1563) Rilsan® coating
- Installation length: EN 558 row 20
- Interface according to DIN EN ISO 5211
- Pressure range: 10 bar (DN 50-200); 6 bar (DN 250); 4 bar (DN 300 - 600)
- Axis DN50 - DN300: Single-piece axis with square profile, material stainless steel DIN Norm 1.4021
- Flange connection: DN50 - DN300: PN6, PN10, ANSI 125/150 Lbs., BS 10-D/E
- Voltage 100-230V, 50-60Hz for EA actuator

Option:

- Other liner material on request
- Optional accessories: Fail-safe return unit
- * Electric actuator for higher nominal pressure on request



d (mm)	DN (mm)	Size (inch)	PN (bar)	kv-value ($\Delta p=1$ bar) (L/min)	Liner: EPDM Code	PF	SP	Weight (kg)
63	50	2	10	3140	199 039 725	3 39 226 203	1	5.50
75	65	2 ½	10	4570	199 039 726	3 39 226 203	1	6.20
90	80	3	10	7140	199 039 727	3 39 226 203	1	7.90
110	100	4	10	11710	199 039 728	3 39 226 203	1	9.30
140	125	5	10	18570	199 039 729	3 39 226 203	1	11.00
160	150	6	10	27130	199 039 730	3 39 226 203	1	13.90
225	200	8	10	47130	199 039 731	3 39 226 203	1	18.50
280	250	10	6	77110	199 039 732	3 39 226 203	1	27.80
315	300	12	4	114240	199 039 733	3 39 226 203	1	36.70

d (mm)	Type of actuator	D3 (mm)	D4 (mm)	H (mm)	H1 (mm)	H2 (mm)	H3 (mm)	L (mm)	L1 (mm)	L2 (mm)
63	EA45	96	165	383	53	140	188	43	28	122
75	EA120	114	185	405	63	152	188	46	28	122
90	EA120	131	190	420	71	159	188	46	28	122
110	EA120	152	229	415	87	178	188	52	64	181
140	EA120	182	254	443	102	191	188	56	60	220
160	EA250	209	285	475	122	203	208	56	60	220
225	EA250	262	343	540	149	241	208	60	60	220
280	EA250	323	333	671	201	273	208	68	70	220
315	EA250	373	353	739	231	311	208	78	70	220

The technical data are not binding. They neither constitute expressly warranted characteristics nor guaranteed properties nor a guaranteed durability. They are subject to modification. Our General Terms of Sale apply.

Data sheet

valid from: 3/28/26



Georg Fischer Piping Systems Ltd, Postfach, CH-8201 Schaffhausen/Switzerland Phone +41 -(0)52-631 1111 e-mail:
info.ps@georgfischer.com Internet: <http://www.gfps.com>