



Elektrisk aktuator type EA15/25/45/120/250

Modell

- Heating element, position feedback (Open/Close/ Middle)
- Alle: Justerbar varme og 7-segment error LED inkludert
- EA15: kontroll og posisjonstilbakemelding åpen/lukket
- EA25 - 250: kontroll åpen/lukket/midstilt; posisjonstilbakemelding åpen/lukket/midstilt klar til drift
- cUL E247458
- IP68 Rating

Opsjon

- All: Fail-safe return unit
- EA25-250: Monitoring board, Positioner, Profibus DP board, Modbus TCP EA 25-250 Ethernet Interface Card

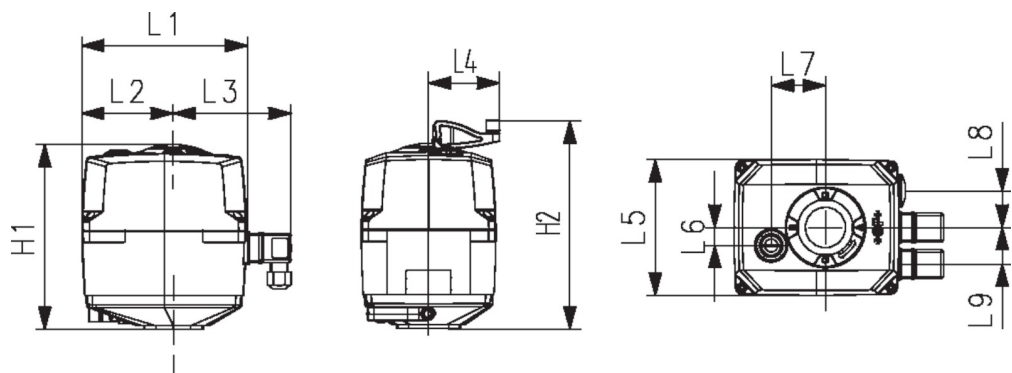
*med adapter 198 000 587 F05 / WS 11, 198 204 057 F05 / WS 14

Type aktuator	Spenning	Torque nominal (N/m)	Torque maximal (N/m)	Tilkobling
EA15	100-230V AC	10	20	F05 (SW 11/14)*
EA15	24V AC/DC	10	20	F05 (SW 11/14)*
EA25	100-230V AC	10	25	F05 (SW 11/14)*
EA25	24V AC/DC	10	25	F05 (SW 11/14)*
EA45	100-230V AC	20	45	F05 (SW 11/14)*
EA45	24V AC/DC	20	45	F05 (SW 11/14)*
EA120	100-230V AC	60	120	F07 (SW17)
EA120	24V AC/DC	60	120	F07 (SW17)
EA250	100-230V AC	100	250	F07 (SW22)
EA250	24V AC/DC	100	250	F07 (SW22)
EA15 cUL marked	100-230V AC	10	20	F05 (SW 11/14)*
EA15 cUL marked	24V AC/DC	10	20	F05 (SW 11/14)*
EA25 UL marked	100-230V AC	10	25	F05 (SW 11/14)*
EA25 cUL marked	24V AC/DC	10	25	F05 (SW 11/14)*
EA45 cUL marked	100-230V AC	20	45	F05 (SW 11/14)*
EA45 cUL marked	24V AC/DC	20	45	F05 (SW 11/14)*
EA120 cUL marked	100-230V AC	60	120	F07 (SW17)
EA120 cUL marked	24V AC/DC	60	120	F07 (SW17)
EA250 cUL marked	100-230V AC	100	250	F07 (SW22)
EA250 cUL marked	24V AC/DC	100	250	F07 (SW22)

Type aktuator	Kode	NRF
EA15	198 153 180	
EA15	198 153 181	
EA25	198 153 182	
EA25	198 153 183	
EA45	198 153 184	
EA45	198 153 185	
EA120	198 153 186	
EA120	198 153 187	
EA250	198 153 188	
EA250	198 153 189	
EA15 cUL marked	198153200	
EA15 cUL marked	198 153 201	
EA25 UL marked	198 153 202	
EA25 cUL marked	198 153 203	
EA45 cUL marked	198 153 204	
EA45 cUL marked	198 153 205	

Type aktuator	Kode	NRF
EA120 cUL marked	198 153 206	
EA120 cUL marked	198 153 207	
EA250 cUL marked	198 153 208	
EA250 cUL marked	198 153 209	

Type aktuator	H1 (mm)	H2 (mm)	L1 (mm)	L2 (mm)	L3 (mm)	L4 (mm)	L5 (mm)	L6 (mm)	L7 (mm)	L8 (mm)	L9 (mm)
EA15	137	158	122	83,0	77	64,3	122	16	49		33
EA15	137	158	122	83,0	77	64,3	122	16	49		33
EA25	167	188	150	82,5	107	64,3	122	16	49	33	33
EA25	167	188	150	82,5	107	64,3	122	16	49	33	33
EA45	167	188	150	82,5	107	64,3	122	16	49	33	33
EA45	167	188	150	82,5	107	64,3	122	16	49	33	33
EA120	190	212	150	82,5	107	64,3	122	16	49	33	33
EA120	190	212	150	82,5	107	64,3	122	16	49	33	33
EA250	200	221	150	82,5	107	64,3	122	16	49	33	33
EA250	200	221	150	82,5	107	64,3	122	16	49	33	33
EA15 cUL marked	167	189	150	78,0	108	64,0	122	16	49	33	33
EA15 cUL marked	167	189	150	78,0	108	64,0	122	16	49	33	33
EA25 UL marked	167	189	150	83,0	98	64,0	122	16	49	33	33
EA25 cUL marked	167	189	150	83,0	98	64,0	122	16	49	33	33
EA45 cUL marked	167	189	150	83,0	98	64,0	122	16	49	33	33
EA45 cUL marked	167	189	150	83,0	98	64,0	122	16	49	33	33
EA120 cUL marked	190	212	150	83,0	98	64,0	122	16	49	33	33
EA120 cUL marked	190	212	150	83,0	98	64,0	122	16	49	33	33
EA250 cUL marked	200	221	150	83,0	98	64,0	122	16	49	33	33
EA250 cUL marked	200	221	150	83,0	98	64,0	122	16	49	33	33



De tekniske data er uforpliktende. De er hverken uttrykk for garanterte egenskaper, funksjoner eller for garantert holdbarhet. Rett til endringer forbeholdes. Våre generelle salgsbetingelser er gjeldene.

Georg Fischer Piping Systems Ltd, Postfach, CH-8201 Schaffhausen/Switzerland Phone +41 -(0)52-631 1111 e-mail: info.ps@georgfischer.com Internet: <http://www.gfps.com>