

Wafer-Style, intermediate installation butterfly valve metal type 039
With gear box
Flange standard metric - PN10
DN350 - DN1200
Disc: stainless steel DIN Norm 1.4408 without coating

Model:

- Wafer Style
- Housing: Ductile Iron ASTM A 395, Epoxy coated
- Body from DN350 Epoxy® coating
- Up to DN 1200: Overall length according to EN 558, line 20, ISO 5752
- Also available: ANSI, electric-, pneumatic actuated
- Pressure range: 10 bar (DN350 - DN1200)
- Axis DN350 - DN1200: 2-pieces axis keyway profile, material: stainless steel DIN Norm 1.4021
- Connecting dimension: EN 1092 PN10, any other standard on request

Option:

- Other liner material on request
- Electric and pneumatic actuator on request

d (mm)	DN (mm)	Size (inch)	PN (bar)	kv-value ($\Delta p=1$ bar) (l/min)	Liner: EPDM Code	PF	SP	Weight (kg)	Liner: FKM Code
350	350	14	10	143360	198 039 010	3 39 226 202	1	53.70	198 039 050
400	400	16	10	186700	198 039 011	3 39 226 202	1	81.20	198 039 051
450	450	18	10	258390	198 039 012	3 39 226 202	1	110.50	198 039 052
500	500	20	10	316730	198 039 013	3 39 226 202	1	145.00	198 039 053
630	600	24	10	431750	198 039 014	3 39 226 202	1	330.00	198 039 054
700	700	28	10	618333	198 039 015	3 39 226 202	1	463.00	198 039 055
800	800	32	10	675000	198 039 016	3 39 226 202	1	621.00	198 039 056
900	900	36	10	1005200	198 039 017	3 39 226 202	1	714.00	198 039 057
1000	1000	40	10	1306930	198 039 018	3 39 226 202	1	993.00	198 039 058
1200	1200	48	10	1907050	198 039 019	3 39 226 202	1	1082.00	198 039 059

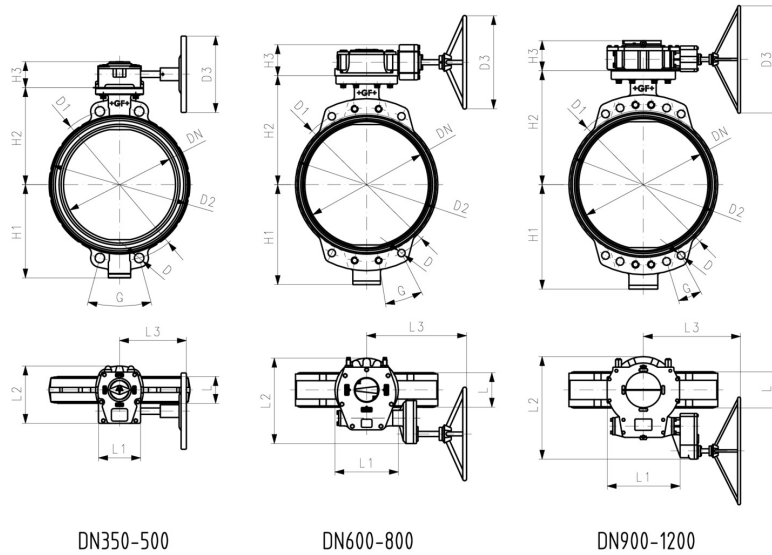
d (mm)	D (mm)	D1 (mm)	D2 (mm)	D3 (mm)	H1 (mm)	H2 (mm)	H3 (mm)	L (mm)	L1 (mm)	L2 (mm)	L3 (mm)	M (mm)	Q1 (mm)	N (mm)
350	21	460	442	125	291	307	55	78	75	180	282	20	332	16
400	25	515	193	140	325	342	65	102	88	226	270	24	382	16
450	25	565	544	140	357	387	65	113	88	258	326	24	432	20
500	25	620	601	140	381	425	65	126	88	258	326	24	478	20
630	28	725	695	254	488	532	110	146	150	403	447	27	585	20
700	28	840	798	254	506	573	110	175	150	403	447	27	683	24

Data sheet

valid from: 3/25/25



d	D	D1	D2	D3	H1	H2	H3	L	L1	L2	L3	M	Q1	N
(mm)	(mm)	(mm)	(mm)	(mm)	(mm)	(mm)	(mm)	(mm)	(mm)	(mm)	(mm)	(mm)	(mm)	(mm)
800	31	950	908	254	578	650	110	215	150	403	447	30	755	24
900	31	1050	1004	254	643	707	110	246	150	482	500	30	852	28
1000	34	1160	1114	254	729	755	110	280	150	482	500	33	958	28
1200	37	1380	1330	298	855	900	130	360	195	725	611	36	1098	32



The technical data are not binding. They neither constitute expressly warranted characteristics nor guaranteed properties nor a guaranteed durability. They are subject to modification. Our General Terms of Sale apply.

Georg Fischer Piping Systems Ltd, Postfach, CH-8201 Schaffhausen/Switzerland Phone +41 -(0)52-631 1111 e-mail: info.ps@georgfischer.com Internet: <http://www.gfps.com>