



**Diaphragm valve type DIASTAR PVC-C
Series 025 DA (Double acting)
With fixed flanges Inch ANSI**

Model:

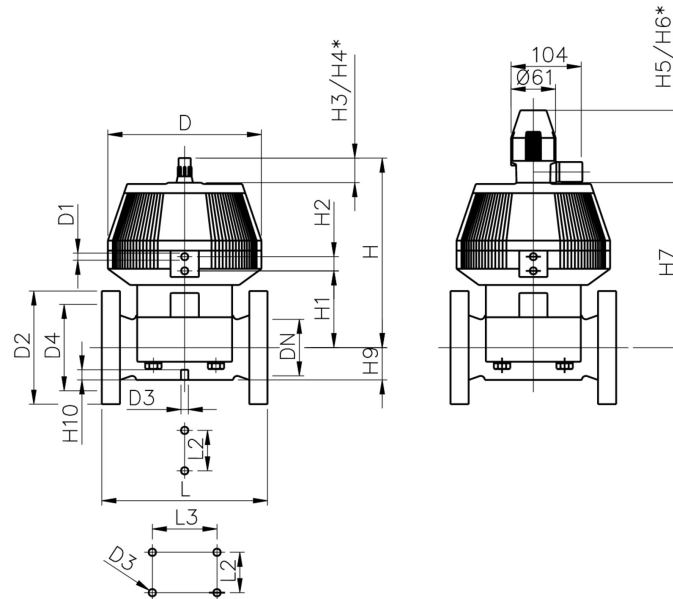
- Connecting dimension: ISO 7005 / EN 1092 / DIN 25 PN10 / BS4504
- With position indicator / Working pressure: **one side**
- * With backing flanges PP-V
- ** **DN80, DN100 and DN150 fixed flanges metric and inch ANSI B16.5**

d	Size	DN	PN	kv-value	EPDM	Weight
(mm)	(inch)	(mm)	(bar)	($\Delta p=1$ bar)	Code	(kg)
				(L/min)		
*	2 1/2	65	10	992	199 025 657	13.600

FKM	PTFE/EPDM	Weight
Code	Code	(kg)
*	199 025 477	199 025 687

D	D1_G	D2	D3[M]	D4	H	H1	H2	H3	H4	H5	H6	H7	H9	H10	
(mm)	(inch)	(mm)	(mm)	(mm)	(mm)	(mm)	(mm)	(mm)	(mm)	(mm)	(mm)	(mm)	(mm)	(mm)	
*	280	1/4	185	8	145	344	148	24	46	100	129	195	298	46	15

L	L2	
(mm)	(mm)	
*	290	70



The technical data are not binding. They neither constitute expressly warranted characteristics nor guaranteed properties nor a guaranteed durability. They are subject to modification. Our General Terms of Sale apply.

Georg Fischer Piping Systems Ltd, Postfach, CH-8201 Schaffhausen/Switzerland Phone +41 -(0)52-631 1111 e-mail: info.ps@georgfischer.com Internet: <http://www.gfps.com>