

**SYGEF Standard Diaphragm valve DIASTAR Ten FC (Fail safe to close)**  
**Unions with fusion sockets metric**

**Model:**

- Material: PVDF
- Double flow rate compared to predecessor
- One housing nut replaces four screws
- Rotating air connection at 90° intervals
- For easy installation and removal
- Short overall length

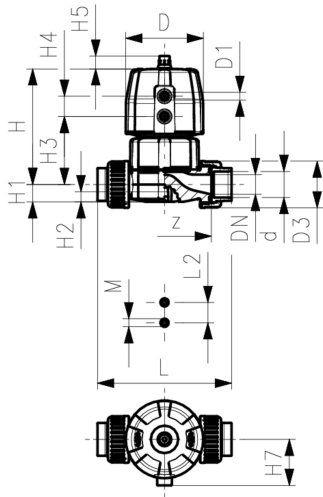
**Option:**

- Individual configuration of the valve
- Comprehensive range of accessories available

\* PN: PTFE

Working Pressure: **one side**

\* O-Ring material: FKM



d (mm)	DN (mm)	PN* (bar)	kv-value (Δp=1 bar) (l/min)	PTFE/ EPDM* Code	SP	Weight (kg)	PTFE/FKM* Code	SP	Weight (kg)
20	15	10/10*	125	<b>185 624 032</b>	1	0.611	<b>185 624 052</b>	1	0.611
25	20	10/10*	271	<b>185 624 033</b>	1	1.216	<b>185 624 053</b>	1	1.216
32	25	10/10*	481	<b>185 624 034</b>	1	1.565	<b>185 624 054</b>	1	1.565
40	32	10/10*	759	<b>185 624 035</b>	1	2.489	<b>185 624 055</b>	1	2.489
50	40	10/10*	1263	<b>185 624 036</b>	1	4.266	<b>185 624 056</b>	1	4.266
63	50	10/6*	1728	<b>185 624 037</b>	1	5.358	<b>185 624 057</b>	1	5.358

d (mm)	FKM Code
20	<b>185 624 062</b>
25	<b>185 624 063</b>
32	<b>185 624 064</b>
40	<b>185 624 065</b>
50	<b>185 624 066</b>
63	<b>185 624 067</b>

d (mm)	D (mm)	D1_G (inch)	H (mm)	H1 (mm)	H2 (mm)	H3 (mm)	H4 (mm)	H5 (mm)	H7 (mm)	L (mm)	L2 (mm)	M	z (mm)	Lift = Hx (mm)
20	68	⅜	101	14	12	60	24	16	43	128	25	M6	100	7
25	96	⅜	132	18	12	73	25	16	57	150	25	M6	118	10
32	96	⅝	143	22	12	84	25	16	57	162	25	M6	126	13
40	120	⅝	173	26	15	99	26	26	69	184	45	M8	144	15
50	150	¾	214	32	15	119	36	26	88	210	45	M8	164	19
63	150	¾	226	39	15	132	36	26	88	248	45	M8	194	23

d (mm)	closest inch (inch)
20	½
25	¾
32	1
40	1 ¼
50	1 ½
63	2

# Data sheet



valid from: 2/7/25

---

The technical data are not binding. They neither constitute expressly warranted characteristics nor guaranteed properties nor a guaranteed durability. They are subject to modification. Our General Terms of Sale apply.

Georg Fischer Piping Systems Ltd, Postfach, CH-8201 Schaffhausen/Switzerland Phone +41 -(0)52-631 1111 e-mail:  
info.ps@georgfischer.com Internet: <http://www.gfps.com>