



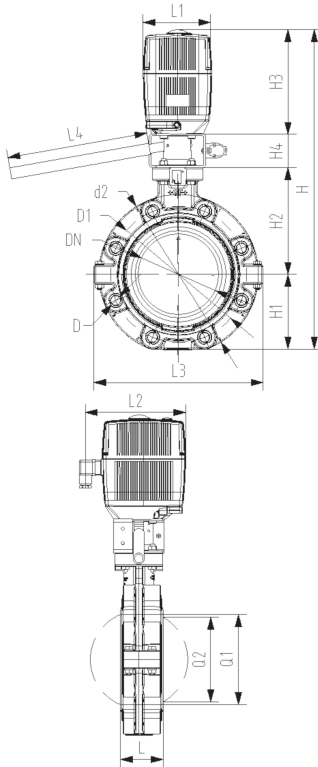
Lug Style Butterfly valve Type 144 ABS 100-230V With manual override

Model:

- Housing material: PP-GF30 with 316SS lug inserts
- Voltage 100-230 V, 50-60 Hz
- Control range 90 °
- Control time 15s/90° EA31
- Control time 25s/90° EA42
- Actuator with integrated emergency manual override standard
- Overall length according to EN 558, ISO 5752 (DN50 - 200 line 25, DN250 - 300 line 10)
- Connecting dimension: ANSI/ASME B 16.5 class 150, ASTM D 4024, BS 1560, BS EN 1759

Option:

- Optional accessory: Integrated position feedback with limit switches (sold separately)



d (mm)	PN (bar)	Size (inch)	EPDM Part No.	SP weight (kg)
63	10	2	199 144 482	
75	10	2 ½	199 144 483	
90	10	3	199 144 484	
110	10	4	199 144 485	
140	10	5	199 144 486	
160	10	6	199 144 487	
225	10	8	199 144 488	

d (mm)	Actuator unit type	d2 (mm)	D (mm)	D1 (mm)	H (mm)	H1 (mm)	H2 (mm)	H3 (mm)	H4 (mm)	L (mm)	L1 (mm)	L2 (mm)	L3 (mm)
63	EA-31	160	UNC 5/8	120.6	459	77	134	188	60	45	122	180	165
75	EA-31	180	UNC 5/8	139.7	471	83	140	188	60	46	122	180	182
90	EA-31	195	UNC 5/8	152.4	483	89	146	188	60	49	122	180	210
110	EA-31	226	UNC 5/8	190.5	521	106	167	188	60	56	122	180	240
140	EA-31	258	UNC 3/4	215.9	550	121	181	188	60	64	122	180	272
160	EA-31	284	UNC 3/4	241.3	570	133	189	188	60	72	122	180	300
225	EA-42	341	UNC 3/4	298.4	637	159	210	208	60	73	122	180	360

d (mm)	Q1 (mm)	Q2 (mm)
63	40	
75	54	35
90	67	50
110	88	74
140	113	97
160	139	123
225	178	169

The technical data are not binding. They neither constitute expressly warranted characteristics nor guaranteed properties nor a guaranteed durability. They are subject to modification. Our General Terms of Sale apply.

Georg Fischer Piping Systems Ltd, Postfach, CH-8201 Schaffhausen/Switzerland

Phone +41 -(0)52-631 1111

e-mail: info.ps@georgfischer.com

Internet: <http://www.gfps.com>