

SYGEF Standard Wafer check valve type 369 With V4A spring (stainless steel 316)

Model:

- Material: PVDF
- Supporting eyelets for simple fitting
- Suitable for vertical and horizontal mounting

Installation instruction:

- Installation between ISO/DIN (all dimensions) and ANSI flange adaptors (all except DN32 and DN125)
- Installation with ANSI flange adaptor: for wafer check valves 1 1/2" to 3", use ANSI flange adaptors with the next bigger dimension (example: 1 1/2" wafer check valve between 2" ANSI flange adaptor)
- Centering by body diameter (ISO/DIN by D3, ANSI by D)
- Sealing with O-rings
- A stabilizing zone of at least 5 times nominal diameter should be provided before and after the wafer check valve
- Do not install on pump flange

Note:

In order to install the wafer check valves properly, Georg Fischer recommends flange adaptors of the next larger diameter of the valve (e.g. wafer check valve d90 with two flange adaptors d110)

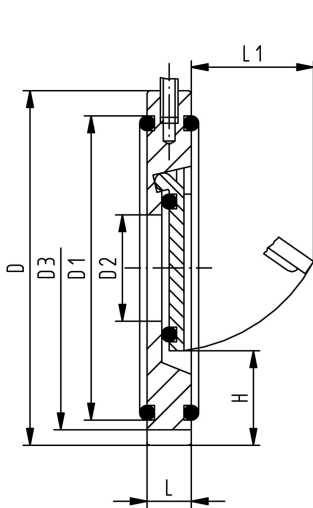
d (mm)	DN (mm)	PN (bar)	FKM Code	SP	weight (kg)
40	32	10	175 369 062	1	0.170
50	40	10	175 369 063	1	0.210
63	50	10	175 369 064	1	0.274
75	65	10	175 369 065	1	0.410
90	80	10	175 369 066	1	0.508
110	100	10	175 369 067	1	0.724
140	125	10	175 369 069	1	0.993
160	150	6	175 369 070	1	1.422
225	200	6	175 369 071	1	2.708
280	250	6	175 369 072	1	4.423
315	300	6	175 369 073	1	6.900

d (mm)	D (mm)	D1 (mm)	D2 (mm)	D3 (mm)	H (mm)	L (mm)	L1 (mm)	Opening pressure vertical (mbar)	Opening pressure horizontal (mbar)	Tightness from water column (m)
40	85	59	18	85	25	15	22	30	20	2
50	105	74	22	95	27	16	27	30	20	2
63	124	90	32	109	29	18	40	30	20	2
75	137	110	40	129	31	20	55	30	20	2
90	175	125	54	144	32	20	67	30	20	2
110	175	150	70	164	31	23	67	30	20	2
140	195	178	92	195	35	23	94	30	20	2
160	222	192	105	220	41	26	100	30	20	2
225	279	256	154	275	38	35	152	38	20	2
280	340	306	192	330	41	40	180	38	20	2
315	410	342	227	380	41	45	215	38	20	2

d (mm)	closest inch (inch)
40	1 1/4
50	1 1/2
63	2
75	2 1/2
90	3
110	4
140	5

Data sheet

valid from: 3/28/26



d (mm)	closest inch (inch)
160	6
225	8
280	10
315	12

The technical data are not binding. They neither constitute expressly warranted characteristics nor guaranteed properties nor a guaranteed durability. They are subject to modification. Our General Terms of Sale apply.

Georg Fischer Piping Systems Ltd, Postfach, CH-8201 Schaffhausen/Switzerland Phone +41 -(0)52-631 1111 e-mail:
info.ps@georgfischer.com Internet: <http://www.gfps.com>