

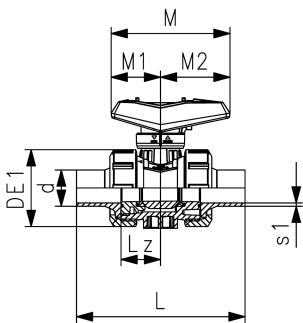
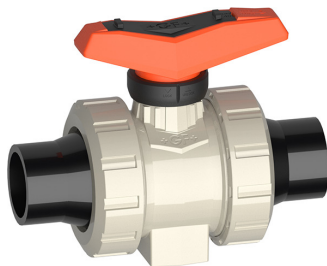
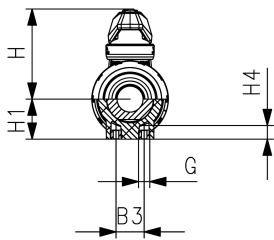
**PROGEF Standard Ball Valve type 546 Pro**  
**With butt fusion spigots PE100 SDR11 ISO**

**Model:**

- Lockable lever as standard
- Ball seals PTFE
- Integrated stainless steel mounting inserts
- Z-dimension, valve end and union nut **are compatible** with type 546 (1<sup>st</sup> Generation)

**Option:**

- Interface module for position feedback sensor with LED (PNP, NPN and NAMUR)
- Manual spring return lever "Dead man" (DN10-25)
- Pneumatic or electric actuators from GF
- Individual configuration of valves possible



d	DN	Size	PN	kv-value	EPDM	SP	Weight	FKM	SP	Weight
(mm)	(mm)	(inch)	(bar)	( $\Delta p=1$ bar)	Code		(kg)	Code		(kg)
20	15	½	10	185	<b>167 546 142</b>	1	0.120	<b>167 546 152</b>	1	0.120
25	20	¾	10	350	<b>167 546 143</b>	1	0.184	<b>167 546 153</b>	1	0.180
32	25	1	10	700	<b>167 546 144</b>	1	0.262	<b>167 546 154</b>	1	0.255
40	32	1 ¼	10	1000	<b>167 546 145</b>	1	0.440	<b>167 546 155</b>	1	0.440
50	40	1 ½	10	1600	<b>167 546 146</b>	1	0.637	<b>167 546 156</b>	1	0.620
63	50	2	10	3100	<b>167 546 147</b>	1	1.176	<b>167 546 157</b>	1	1.200

d	B3	DE1	G	H	H1	H4	L	Lz	M	M1	M2	s1
(mm)	(mm)	(mm)	(mm)	(mm)	(mm)	(mm)	(mm)	(mm)	(mm)	(mm)	(mm)	(mm)
20	25	58	M6	60.5	27	12	130	28	82	35	47	1.9
25	25	68	M6	74.0	30	12	143	33	106	44	62	2.3
32	45	84	M6	80.0	36	12	150	36	106	44	62	3.0
40	45	97	M8	95.0	44	15	171	43	131	57	74	3.7
50	45	124	M8	101.5	51	15	191	45	131	57	74	4.6
63	70	166	M8	116.5	64	15	220	51	152	66	86	5.8

The technical data are not binding. They neither constitute expressly warranted characteristics nor guaranteed properties nor a guaranteed durability. They are subject to modification. Our General Terms of Sale apply.

Georg Fischer Piping Systems Ltd, Postfach, CH-8201 Schaffhausen/Switzerland Phone +41 -(0)52-631 1111 e-mail: info.ps@georgfischer.com Internet: <http://www.gfps.com>