



**Wafer-Style, intermediate installation butterfly valve metal type 039**  
**With electric actuator 3 x 400V, 50 Hz**  
**Flange standard - ANSI**  
**DN350 - DN1200**  
**Disc: stainless steel DIN Norm 1.4408 without coating**

**Model:**

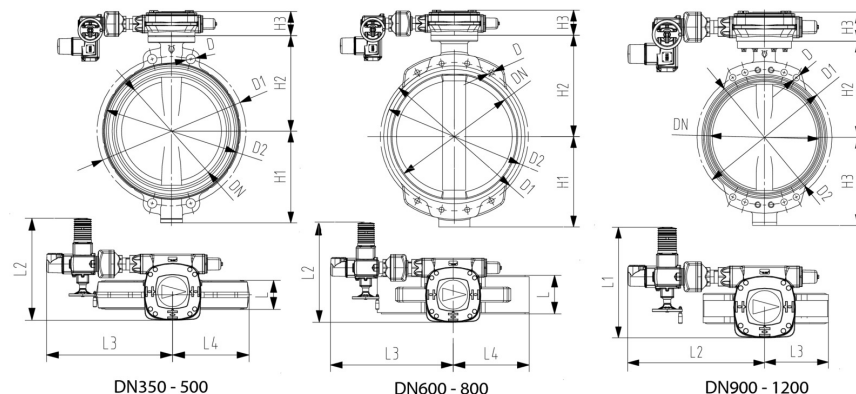
- Wafer Style
- Housing: Ductile Iron ASTM A 395, Epoxy coated
- Body from DN350 Epoxy® coating
- Up to DN 500: Overall length according to EN558, line 20, ISO 5752
- Pressure range: 4 bar (DN350 - DN1200)
- Axis DN350 - DN1200: 2-pieces axis keyway profile, material: stainless steel DIN Norm 1.4021
- Connecting dimension DN300 - DN600: ANSI/ASME B16.5 class 150
- Connecting dimension DN700 - DN1200: ANSI/ASME B16.47 class 150
- Any other standard on request

**Option:**

- Other liner material on request

d (mm)	DN (mm)	Size (inch)	PN (bar)	kv-value ( $\Delta p=1$ bar) (L/min)	Liner: EPDM Code	PF	SP	Weight (kg)	Liner: FKM Code
350	350	14	4	143360	<b>198 039 330</b>	3 39 226 205	1	76.20	<b>198 039 370</b>
400	400	16	4	186700	<b>198 039 331</b>	3 39 226 205	1	98.20	<b>198 039 371</b>
450	450	18	4	258390	<b>198 039 332</b>	3 39 226 205	1	136.50	<b>198 039 372</b>
500	500	20	4	316730	<b>198 039 333</b>	3 39 226 205	1	171.00	<b>198 039 373</b>
630	600	24	4	431750	<b>198 039 334</b>	3 39 226 205	1	343.00	<b>198 039 374</b>
700	700	28	4	618333	<b>198 039 335</b>	3 39 226 205	1	476.00	<b>198 039 375</b>
800	800	32	4	675000	<b>198 039 336</b>	3 39 226 205	1	682.00	<b>198 039 376</b>
900	900	36	4	1005200	<b>198 039 337</b>	3 39 226 205	1	749.00	<b>198 039 377</b>
1000	1000	40	4	1306930	<b>198 039 338</b>	3 39 226 205	1	1028.00	<b>198 039 378</b>
1200	1200	48	4	1907050	<b>198 039 339</b>	3 39 226 205	1	1339.00	<b>198 039 379</b>

d (mm)	Type of actuator	D (mm)	D1 (mm)	D2 (mm)	H1 (mm)	H2 (mm)	H3 (mm)	L (mm)	L2 (mm)	L3 (mm)	L4 (mm)	N (mm)	Q1 (mm)
350	GS 80	26	476	442	291	307	307	78	130	527	514	12	332
400	GS 80	26	540	493	325	342	307	102	154	527	514	16	382
450	GS 100	29	578	544	357	387	321	113	182	690	514	20	432
500	GS 125	29	635	601	381	425	321	126	182	690	514	20	478
630	GS 125	32	749	695	488	532	330	146	286	710	744	20	585
700	GS 125	32	864	798	506	573	330	175	286	710	744	28	683
800	GS 160	39	978	908	578	650	313	215	286	990	514	28	755
900	GS 160	39	1086	1004	643	707	323	246	370	990	538	28	852
1000	GS 160	39	1200	1114	729	755	323	280	370	990	538	32	958
1200	GS 200	39	1422	1330	855	900	348	360	510	1133	538	44	1098



# Data sheet



valid from: 4/3/25

---

The technical data are not binding. They neither constitute expressly warranted characteristics nor guaranteed properties nor a guaranteed durability. They are subject to modification. Our General Terms of Sale apply.

Georg Fischer Piping Systems Ltd, Postfach, CH-8201 Schaffhausen/Switzerland Phone +41 -(0)52-631 1111 e-mail:  
info.ps@georgfischer.com Internet: <http://www.gfps.com>