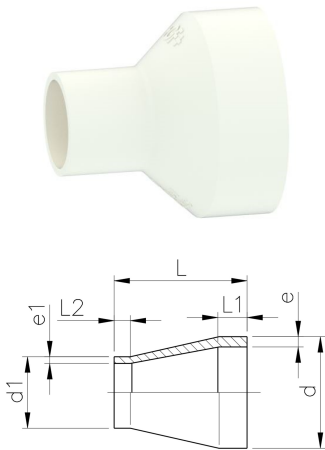


SYGEF ECTFE Reducer SDR21/PN10

Model:

- Material: ECTFE



d	DN	PN	SDR	FM	Code	Weight	d1	L	L1	L2	e	e1
(mm)	(mm)	(bar)				(kg)	(mm)	(mm)	(mm)	(mm)	(mm)	(mm)
25	20	10	21	IR	737 908 107	0.013	20	50	22	22	1.9	1.9
32	25	10	21	IR	737 908 108	0.016	20	50	22	22	2.4	1.9
32	25	10	21	IR	737 908 118	0.017	25	50	22	22	2.4	1.9
40	32	10	21	IR	737 908 109	0.023	20	58	22	24	2.4	1.9
40	32	10	21	IR	737 908 119	0.022	25	55	22	24	2.4	1.9
40	32	10	21	IR	737 908 129	0.026	32	55	22	24	2.4	2.4
50	40	10	21	IR	737 908 110	0.034	25	60	22	25	3.0	1.9
50	40	10	21	IR	737 908 120	0.040	32	60	22	25	3.0	2.4
50	40	10	21	IR	737 908 130	0.039	40	60	22	25	3.0	2.4
63	50	10	21	IR	737 908 111	0.050	32	65	22	25	3.0	2.4
63	50	10	21	IR	737 908 121	0.052	40	65	22	25	3.0	2.4
63	50	10	21	IR	737 908 131	0.059	50	65	22	25	3.0	3.0
75	65	10	21	IR	737 908 112	0.078	40	68	24	25	3.6	2.4
75	65	10	21	IR	737 908 122	0.078	50	65	24	25	3.6	3.0
75	65	10	21	IR	737 908 132	0.082	63	65	24	25	3.6	3.0
90	80	10	21	IR	737 908 113	0.123	63	75	25	30	4.3	3.0
90	80	10	21	IR	737 908 123	0.136	75	75	25	35	4.3	3.6
110	100	10	21	IR	737 908 114	0.218	63	90	30	30	5.3	3.0
110	100	10	21	IR	737 908 124	0.224	75	90	30	35	5.3	3.6
110	100	10	21	IR	737 908 134	0.242	90	90	30	35	5.3	4.3

The technical data are not binding. They neither constitute expressly warranted characteristics nor guaranteed properties nor a guaranteed durability. They are subject to modification. Our General Terms of Sale apply.

Georg Fischer Piping Systems Ltd, Postfach, CH-8201 Schaffhausen/Switzerland Phone +41 -(0)52-631 1111 e-mail: info.ps@georgfischer.com Internet: <http://www.gfps.com>