

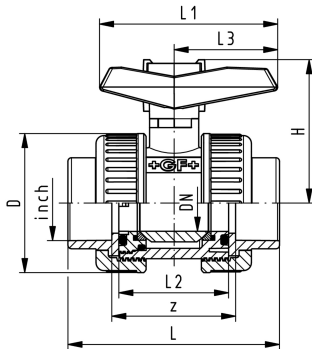
Ball valve type 375 PVC-C
With solvent cement sockets Inch BS

Model:

- True double union safe block ball valve
- Ball seals PTFE
- Handle includes integrated tool for ball seat adjustment
- Very compact dimensions
- z-dimension, valve end and union nut are not compatible with type 546

Range of use:

- Basic industrial applications without automation



d (mm)	Size (inch)	DN (mm)	PN (bar)	kv-value ($\Delta p=1$ bar) (L/min)	EPDM Code	SP	Weight (kg)
	½	15	16	185	163 375 602	60	0.175
	¾	20	16	350	163 375 603	55	0.269
	1	25	16	700	163 375 604	40	0.389
	1 ¼	32	16	1000	163 375 605	20	0.568
	1 ½	40	16	1600	163 375 606	14	0.928
	2	50	16	3100	163 375 607	8	1.550

D (mm)	H (mm)	L (mm)	L1 (mm)	L2 (mm)	L3 (mm)	z (mm)
50	55	80	67	42	40	48
59	61	91	77	48	45	53
68	69	102	87	54	51	58
80	81	120	102	62	59	68
94	91	140	119	72	70	78
115	113	169	146	86	84	93

The technical data are not binding. They neither constitute expressly warranted characteristics nor guaranteed properties nor a guaranteed durability. They are subject to modification. Our General Terms of Sale apply.

Georg Fischer Piping Systems Ltd, Postfach, CH-8201 Schaffhausen/Switzerland Phone +41 -(0)52-631 1111 e-mail:
 info.ps@georgfischer.com Internet: <http://www.gfps.com>