

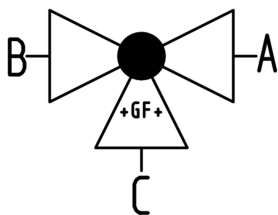
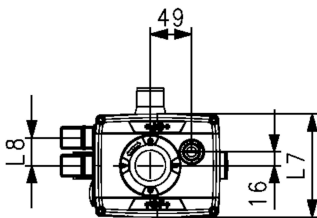
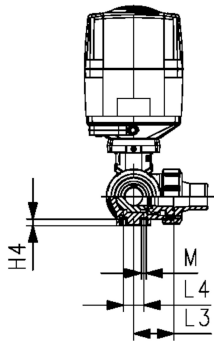
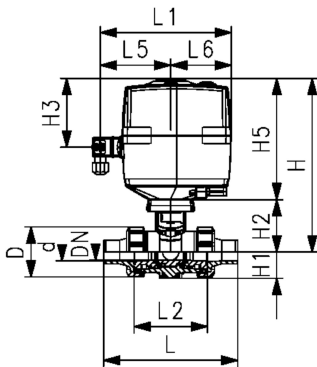
**3-Way ball valve type 543 Pro PVC-U**  
**Horizontal/L-port 24V**  
**With manual emergency override**  
**With solvent cement spigots metric**  
**With electric actuator EA25**

**Model:**

- Voltage 24V AC/DC
- Factory set control range 90°<
- Basic position A-C opened, activated position B-C opened, see flow scheme
- Other positions possible by adjusting the limit switches
- Heating element, position feedback (Open/Close/ Middle)
- Integrated stainless steel mounting inserts

**Option:**

- Optional accessories: Fail-safe return unit, Monitoring board, Position controller, Profibus DP board



d (mm)	DN (mm)	Size (inch)	PN (bar)	kv-value (Δp=1 bar) (l/min)	EA	EPDM Code	SP	Weight (kg)
16	10	3/8	10	50	EA25	<b>199 167 182</b>	1	2.128
20	15	1/2	10	75	EA25	<b>199 167 183</b>	1	3.187
25	20	3/4	10	150	EA25	<b>199 167 184</b>	1	2.271
32	25	1	10	280	EA25	<b>199 167 185</b>	1	2.470
40	32	1 1/4	10	480	EA25	<b>199 167 186</b>	1	2.891
50	40	1 1/2	10	620	EA25	<b>199 167 187</b>	1	3.385
63	50	2	10	1230	EA25	<b>199 167 188</b>	1	4.809

d (mm)	FKM Code	SP	Weight (kg)
16	<b>199 167 192</b>	1	2.128
20	<b>199 167 193</b>	1	2.137
25	<b>199 167 194</b>	1	2.271
32	<b>199 167 195</b>	1	2.470
40	<b>199 167 196</b>	1	2.891
50	<b>199 167 197</b>	1	3.385
63	<b>199 167 198</b>	1	4.809

d	D	H	H1	H2	H3	H5	H6	L	L1	L2	L3	L4	L5	L6	L7
(mm)	(mm)	(mm)	(mm)	(mm)	(mm)	(mm)	(mm)	(mm)	(mm)	(mm)	(mm)	(mm)	(mm)	(mm)	(mm)
16	50	231	28	64	94	167	8	131	180	73	36	25	97	83	122
20	50	231	28	64	94	167	8	141	180	73	36	25	97	83	122
25	58	240	32	73	94	167	8	165	180	86	43	25	97	83	122
32	68	240	36	73	94	167	8	182	180	99	50	25	97	83	122
40	84	251	45	84	94	167	9	209	180	120	60	45	97	83	122
50	97	251	51	84	94	167	9	242	180	137	69	45	97	83	122
63	124	273	65	106	94	167	9	302	180	179	89	45	97	83	122

d	L8	M	closest inch
(mm)	(mm)		(inch)
16	33	6	3/8
20	33	6	1/2
25	33	6	3/4
32	33	6	1
40	33	8	1 1/4
50	33	8	1 1/2
63	33	8	2

# Data sheet

valid from: 1/21/25

---



The technical data are not binding. They neither constitute expressly warranted characteristics nor guaranteed properties nor a guaranteed durability. They are subject to modification. Our General Terms of Sale apply.

Georg Fischer Piping Systems Ltd, Postfach, CH-8201 Schaffhausen/Switzerland Phone +41 -(0)52-631 1111 e-mail:  
info.ps@georgfischer.com Internet: <http://www.gfps.com>