



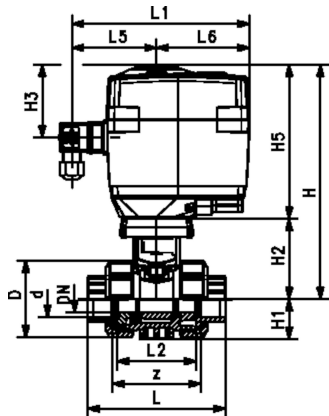
PVC-C Ball valve type 127
24V
With manual emergency override
With solvent cement sockets PVC-C ASTM

Model:

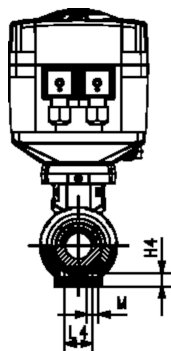
- Built with electric actuator EA15
- Voltage 24V AC/DC
- Factory set control range 90°<
- Heating element, position feedback (Open/Close)
- Integrated stainless steel mounting inserts

Option:

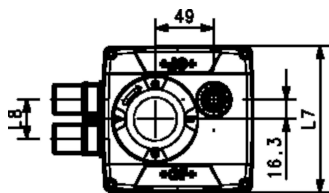
- Other valve and actuator configurations available
- Fail-safe return unit



Size	d	DN	PN	Cv-value	EPDM	weight	FKM	weight
(inch)	(mm)	(mm)	(bar)	(l/min)	Code	(kg)	Code	(kg)
3/8	16	10	10	70	199 127 322	2.100	199 127 332	2.100
1/2	20	15	10	185	199 127 323	2.100	199 127 333	2.100
3/4	25	20	10	350	199 127 324	2.200	199 127 334	2.200
1	32	25	10	700	199 127 325	2.300	199 127 335	2.300
1 1/4	40	32	10	1000	199 127 326	2.600	199 127 336	2.600
1 1/2	50	40	10	1600	199 127 327	3.000	199 127 337	3.000
2	63	50	10	3100	199 127 328	3.800	199 127 338	3.800



Size	D	H	H1	H2	H3	H4	H5	L	L1	L2	L4	L5	L6	L7	L8
(inch)	(mm)	(mm)	(mm)	(mm)	(mm)	(mm)	(mm)	(mm)	(mm)	(mm)	(mm)	(mm)	(mm)	(mm)	(mm)
3/8	50	197	27	60	64	12	137	92	161	56	25	77	83	122	33
1/2	50	197	27	60	64	12	137	95	161	56	25	77	83	122	33
3/4	58	201	30	64	73	12	137	110	161	65	25	77	83	122	33
1	68	207	36	70	73	12	137	123	161	71	25	77	83	122	33
1 1/4	84	213	44	76	84	12	137	146	161	85	45	77	83	122	33
1 1/2	97	219	51	82	84	12	137	157	161	89	45	77	83	122	33
2	124	234	64	97	106	12	137	183	161	101	45	77	83	122	33



Size	M	z
(inch)		(mm)
3/8	M6	68
1/2	M6	67
3/4	M6	76
1	M6	82
1 1/4	M8	98
1 1/2	M8	99
2	M8	111

The technical data are not binding. They neither constitute expressly warranted characteristics nor guaranteed properties nor a guaranteed durability. They are subject to modification. Our General Terms of Sale apply.

Georg Fischer Piping Systems Ltd, Postfach, CH-8201 Schaffhausen/Switzerland Phone +41 -(0)52-631 1111 e-mail: info.ps@georgfischer.com Internet: <http://www.gfps.com>