



Wafer-Style, intermediate installation butterfly valve metal type 039
With electric actuator 3 x 400V, 50 Hz
Flange standard metric - PN10
DN350 - DN1200
Disc: ductile iron/Epoxy® coated

Model:

- Wafer Style
- Housing: Ductile Iron ASTM A 395, Epoxy coated
- Body from DN350 Epoxy® coating
- Up to DN 1200: Overall length according to EN 558, line 20, ISO 5752
- Electric actuator: Auma Type SA-07
- Pressure range: 4 bar (DN350 - DN1200)
- Axis DN350 - DN1200: 2-pieces axis keyway profile, material: stainless steel DIN Norm 1.4021
- Connecting dimension: EN 1092 PN10, any other standard on request

Option:

- Other liner material on request

d (mm)	DN (mm)	Size (inch)	PN (bar)	kv-value ($\Delta p=1$ bar) (L/min)	Liner: EPDM Code	PF	SP	Weight (kg)
350	350	14	4	143360	198 039 300	3 39 226 205	1	0.00
400	400	16	4	186700	198 039 301	3 39 226 205	1	0.00
450	450	18	4	258390	198 039 302	3 39 226 203	1	136.50
500	500	20	4	316730	198 039 303	3 39 226 205	1	171.00
630	600	24	4	431750	198 039 304	3 39 226 205	1	0.00
700	700	28	4	618333	198 039 305	3 39 226 205	1	0.00
800	800	32	4	675000	198 039 306	3 39 226 205	1	682.00
900	900	36	4	1005200	198 039 307	3 39 226 205	1	749.00
1000	1000	40	4	1306930	198 039 308	3 39 226 205	1	0.00
1200	1200	48	4	1907050	198 039 309	3 39 226 205	1	1155.00

d (mm)	D (mm)	D1 (mm)	Type of actuator	H2 (mm)	L3 (mm)	L (mm)	H3 (mm)	H1 (mm)	N (mm)	M (mm)	D2 (mm)	L2 (mm)	Q1 (mm)
350	21	460	GS 80	307	527	78	307	291	16	20	442	130	332
400	25	515	GS 80	342	527	102	307	325	16	24	493	154	382
450	25	565	GS 100	387	690	113	321	357	20	24	544	182	432
500	25	620	GS 125	425	690	126	321	381	20	24	601	182	478
630	28	725	GS 125	532	710	146	330	488	20	27	695	286	585
700	28	840	GS 125	573	710	175	330	506	24	27	798	286	683
800	31	950	GS 160	650	990	215	313	578	24	30	908	286	755
900	31	1050	GS 160	707	990	246	323	643	28	30	1004	370	852
1000	34	1160	GS 160	755	990	280	323	729	28	33	1114	370	958
1200	37	1380	GS 200	900	1133	360	348	855	32	36	1330	510	1098

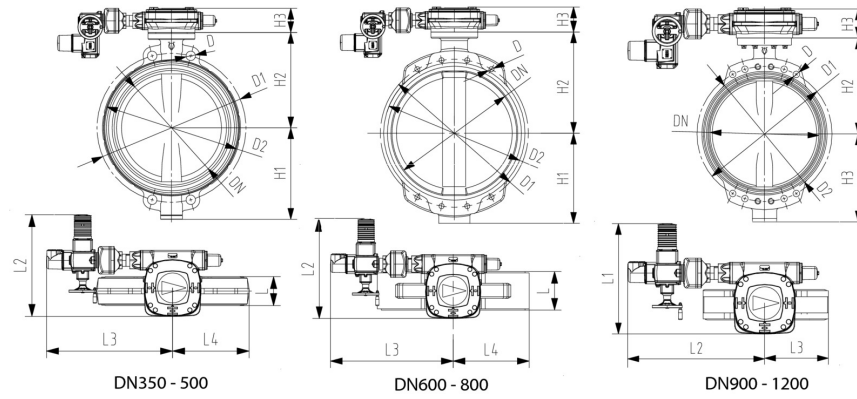
d (mm)	L4 (mm)
350	514
400	514
450	514
500	514
630	744
700	744

Data sheet

valid from: 2/24/26



d (mm)	L4 (mm)
800	514
900	538
1000	538
1200	538



The technical data are not binding. They neither constitute expressly warranted characteristics nor guaranteed properties nor a guaranteed durability. They are subject to modification. Our General Terms of Sale apply.

Georg Fischer Piping Systems Ltd, Postfach, CH-8201 Schaffhausen/Switzerland Phone +41 -(0)52-631 1111 e-mail:
info.ps@georgfischer.com Internet: <http://www.gfps.com>