



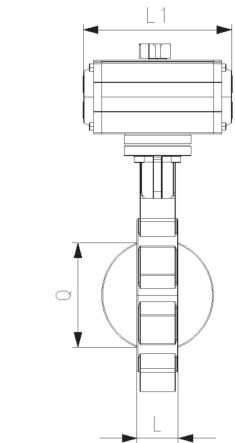
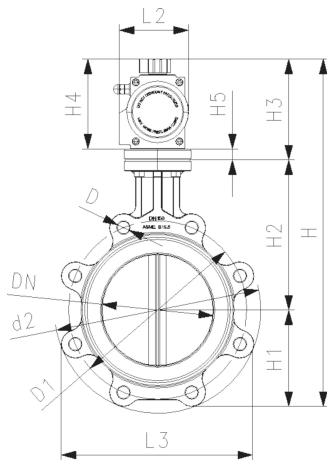
Lug-Style, end Installation butterfly valve metal type 038
With pneumatic actuator - double acting (DA) - Actuator CN
Flange standard metric - PN10
Disc: stainless steel DIN Norm 1.4408 without coating

Model:

- Lug Style
- Body GGG40 (A 395 M:88, EN-JS 1020 EN1563) Rilsan coating
- Body from DN350 Epoxy® coating
- Installation length: EN 558 row 20
- Interface according to DIN/ISO 5211
- Pressure range: 10 bar (DN 50-200); 6 bar (DN 250); 4 bar (DN 300 - 600)
- Axis DN50 - DN300: Single-piece axis with square profile, material stainless steel DIN Norm 1.4021
- Full bore shaft, square shape
- Flange connection: DN50 - DN300: PN6, PN10, ANSI 125/150 Lbs., BS 10-D/E
- Flange connection: PN10

Option:

- Other liner material on request



d (mm)	DN (mm)	Size (inch)	PN (bar)	kv-value ($\Delta p=1$ bar) (L/min)	Liner: EPDM Code	SP	Weight (kg)	Liner: FKM Code	PF
63	50	2	10	3140	199 038 357	1	5.87	199 038 370	3 39 226 127
75	65	2 1/2	10	4570	199 038 358	1	6.97	199 038 371	3 39 226 127
90	80	3	10	7140	199 038 359	1	8.67	199 038 372	3 39 226 127
110	100	4	10	11710	199 038 360	1	12.96	199 038 373	3 39 226 127
140	125	5	10	18570	199 038 361	1	14.76	199 038 374	3 39 226 127
160	150	6	10	27130	199 038 362	1	20.85	199 038 375	3 39 226 127
225	200	8	10	47130	199 038 363	1	29.67	199 038 376	3 39 226 127
280	250	10	10	77110	199 038 364	1	47.40	199 038 377	3 39 226 127
315	300	12	10	114240	199 038 365	1	67.05	199 038 378	3 39 226 127
350	350	14	10	143360	199 038 366	1	78.00		3 39 226 005
400	400	16	10	186700	199 038 367	1	124.00		3 39 226 005
450	450	18	10	258390	199 038 368	1	156.00		3 39 226 005
500	500	20	10	316730	199 038 369	1	200.00		3 39 226 005

d (mm)	Liner: EPDM DVGW Code	Liner: NBR Code	Type of actuator	H (mm)	H1 (mm)	H2 (mm)	H3 (mm)	H4 (mm)	L1 (mm)	L2 (mm)
63	199 038 491	199 038 640	CN52	317	63	140	15	99	60	144
75	199 038 492	199 038 641	CN52	339	73	152	15	99	60	144
90	199 038 493	199 038 642	CN52	354	81	159	15	99	60	144
110	199 038 494	199 038 643	CN63	402	97	178	15	112	72	169
140	199 038 495	199 038 644	CN63	430	112	191	15	112	72	169
160	199 038 496	199 038 645	CN75	480	122	203	15	140	90	212
225	199 038 497	199 038 646	CN83	559	149	245	15	150	100	255
280	199 038 498	199 038 647	CN105	665	203	275	25	162	112	264
315	199 038 499	199 038 648	CN125	755	241	315	25	174	124	295
350			CHCN160 DA	999	291	307		393	258	646
400			CHCN190 DA	1090	325	342		423	292	722
450			CHCN210 DA	1167	357	387		423	292	722
500			CHCN210 DA	1340	381	425		534	385	866

The technical data are not binding. They neither constitute expressly warranted characteristics nor guaranteed properties nor a guaranteed durability. They are subject to modification. Our General Terms of Sale apply.

Data sheet

valid from: 4/3/25



Georg Fischer Piping Systems Ltd, Postfach, CH-8201 Schaffhausen/Switzerland Phone +41 -(0)52-631 1111 e-mail:
info.ps@georgfischer.com Internet: <http://www.gfps.com>