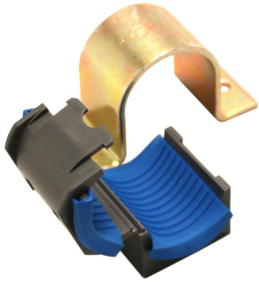
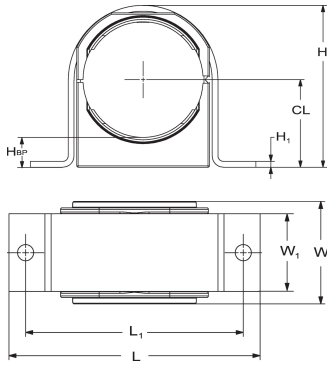


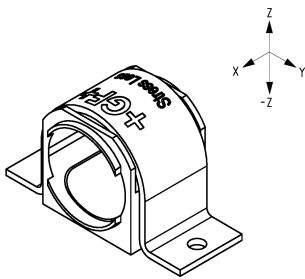
Stress Less Pipe Support - Vertical IPS



- For use as a vertical pipe support. Includes elastomeric insert strips in support to provide friction and snug fit against pipe.
- Bracket provides strength for support during seismic or excessive loading events.
- For IPS size pipe 1/2" - 2".
- Includes steel hoop and plastic guide insert.
- Hoop is trivalent gold chromium-coated galvanized steel, compliant with ASTM B633.
- Guide insert is Polypropylene, Grey, UV resistant.
- Mounts to any flat surface or standard strut support.
- Mounting holes in hoop for bolts size "SC" (not included).
- Fx, Fy and Fz are rated design loads, in lb-f (pounds-force) and N (Newtons), for respective x, y and z directions.



Size (inch)	GF Code	H (inch)	CL (inch)	Hbp (inch)	H1 (inch)	L (inch)	L1 (inch)	W (inch)	W1 (inch)	Fyz	F-z
1/2	155 484 580	1.61	0.83	0.41	0.12	3.27	2.60	1.97	1.44	150lbs / 660N	180lbs / 800N
3/4	155 484 581	1.85	0.98	0.45	0.12	3.46	2.80	1.97	1.44	150lbs / 660N	180lbs / 800N
1	155 484 582	2.20	1.18	0.52	0.12	3.74	3.07	1.97	1.44	150lbs / 660N	180lbs / 800N
1 1/4	155 484 583	2.28	1.13	0.30	0.12	4.02	3.39	1.97	1.44	150lbs / 660N	180lbs / 800N
1 1/2	155 484 584	2.72	1.38	0.43	0.12	4.37	3.70	1.97	1.44	150lbs / 660N	180lbs / 800N
2	155 484 585	3.50	1.90	0.71	0.12	4.88	4.21	1.97	1.44	200lbs / 800N	240lbs / 880N



The technical data are not binding. They neither constitute expressly warranted characteristics nor guaranteed properties nor a guaranteed durability. They are subject to modification. Our General Terms of Sale apply.

Georg Fischer Piping Systems Ltd, Postfach, CH-8201 Schaffhausen/Switzerland Phone +41 -(0)52-631 1111 e-mail:
info.ps@georgfischer.com Internet: <http://www.gfps.com>