



**Diaphragm valve type DIASTAR PVC-C  
Series 025 DA (Double acting)  
With fixed flanges Inch ANSI**

**Model:**

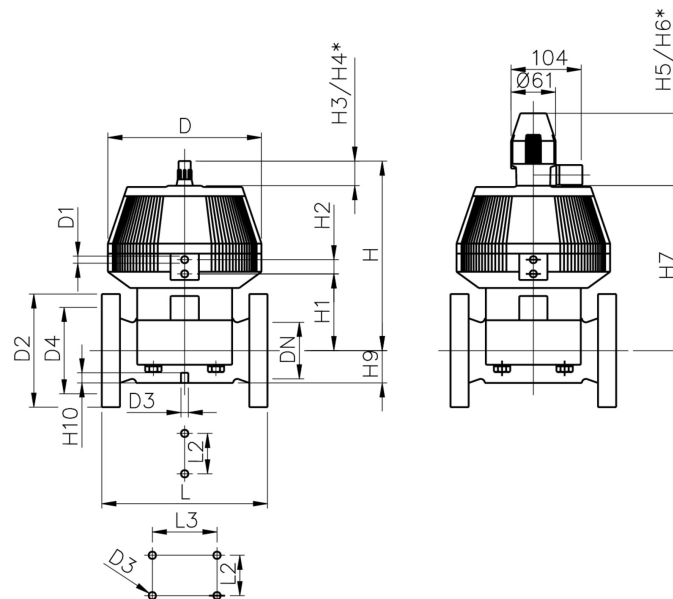
- Connecting dimensions: ISO 7005 / EN 1092 / DIN 2501 PN10 / BS4504
- With position indicator / Working pressure: **one side**
- \* With backing flanges PP-V
- \*\* **DN80, DN100 and DN150 fixed flanges metric and inch ANSI B16.5**

	d (mm)	Size (inch)	DN (mm)	PN (bar)	kv-value ( $\Delta p=1$ bar) (l/min)	EPDM Code	Weight (kg)
*		2 1/2	65	10	992	<b>199 025 657</b>	13.600
**	90	3	80	10	1700	<b>199 025 718</b>	17.400
**	110	4	100	6	2700	<b>199 025 719</b>	24.700

	FKM Code	PTFE/EPDM Code	Weight (kg)
*	<b>199 025 477</b>	<b>199 025 687</b>	
**	<b>199 025 478</b>	<b>199 025 748</b>	17.400
**	<b>199 025 479</b>	<b>199 025 749</b>	24.700

	D	D1_G	D2	D3[M]	D4	H	H1	H2	H3	H4	H5	H6	H7	H9	H10
	(mm)	(inch)	(mm)	(mm)	(mm)	(mm)	(mm)	(mm)	(mm)	(mm)	(mm)	(mm)	(mm)	(mm)	(mm)
*	280	1 1/4	185	8	145	344	148	24	46	100	129	195	298	46	15
**	280	1 1/4	200	12	160	348	150	24	46	100	129	195	302	57	15
**	335	1 3/8	225	12	180	395	176	24	46	100	129	195	349	69	20

	L	L2
	(mm)	(mm)
*	290	70
**	310	120
**	350	120



The technical data are not binding. They neither constitute expressly warranted characteristics nor guaranteed properties nor a guaranteed durability. They are subject to modification. Our General Terms of Sale apply.

# Data sheet

valid from: 10/24/22

---



Georg Fischer Piping Systems Ltd, Postfach, CH-8201 Schaffhausen/Switzerland

Phone +41 -(0)52-631 1111

e-mail: [info.ps@georgfischer.com](mailto:info.ps@georgfischer.com)

Internet: <http://www.gfps.com>