



Lug-Style, end installation butterfly valve type 038
With hand lever
Flange standard metric - PN10
Disc: stainless steel DIN Norm 1.4408 without coating

Model:

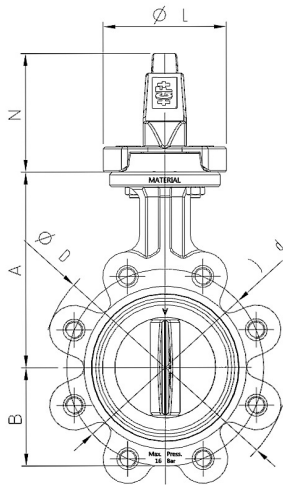
- Lug Style
- Body GGG40 (A 395 / A395 M-99, EN-JIS 1020 EN1563) Rilsan® coating
- Installation length: EN 558 row 20
- Interface according to DIN EN ISO 5211
- Pressure range: 16 bar (DN 50-200)
- Axis DN50 – DN200: Single-piece axis with square profile, material stainless steel DIN Norm 1.4021
- Flange connection: DN50 - DN200: PN6, PN10, ANSI 125/150 Lbs., BS 10-D/E

Option:

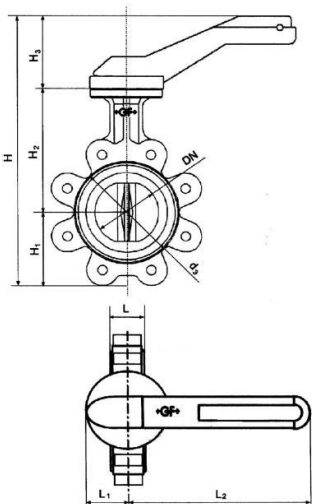
- Electric and pneumatic actuator on request
- Other liner material on request

Note:

Hand lever DN125, DN150 and DN200 with 10 grid positions



d (mm)	DN (mm)	Size (inch)	PN (bar)	kv-value (Δp=1 bar) (L/min)	Liner: EPDM Code	PF	SP	Weight (kg)
63	50	2	16	3140	199 038 200	3 39 226 101	1	3.90
75	65	2 ½	16	4570	199 038 201	3 39 226 101	1	5.00
90	80	3	16	7140	199 038 202	3 39 226 101	1	6.70
110	100	4	16	11710	199 038 203	3 39 226 101	1	8.80
140	125	5	16	18570	199 038 204	3 39 226 101	1	10.60
160	150	6	16	27130	199 038 205	3 39 226 101	1	12.30
225	200	8	16	47130	199 038 206	3 39 226 101	1	19.10



d (mm)	Liner: FKM Code	PF	Liner: EPDM DVGW Code	PF	Liner: NBR Code	PF
63	199 038 213	3 39 226 122	199 038 191	3 39 226 142	199 038 169	3 39 226 162
75	199 038 214	3 39 226 122	199 038 192	3 39 226 142	199 038 170	3 39 226 162
90	199 038 215	3 39 226 122	199 038 193	3 39 226 142	199 038 171	3 39 226 162
110	199 038 216	3 39 226 122	199 038 194	3 39 226 142		
140	199 038 217	3 39 226 122	199 038 195	3 39 226 142		
160	199 038 218	3 39 226 122	199 038 196	3 39 226 142		
225	199 038 219	3 39 226 122	199 038 197	3 39 226 142		

d (mm)	H (mm)	H1 (mm)	H2 (mm)	H3 (mm)	L (mm)	L1 (mm)	L2 (mm)	Cv value (Δp=1 psi) (L/min)	d3 (mm)
63	298	63	140	95	43	45	220	220	95
75	320	73	152	95	46	45	220	320	114
90	335	81	159	95	46	45	220	500	131
110	370	97	178	95	52	45	220	820	152
140	398	112	181	95	56	45	320	1300	182
160	420	122	203	95	56	45	320	1900	209
225	489	149	245	95	60	45	320	3330	262

The technical data are not binding. They neither constitute expressly warranted characteristics nor guaranteed properties nor a guaranteed durability. They are subject to modification. Our General Terms of Sale apply.

Data sheet

valid from: 3/28/26



Georg Fischer Piping Systems Ltd, Postfach, CH-8201 Schaffhausen/Switzerland Phone +41 -(0)52-631 1111 e-mail:
info.ps@georgfischer.com Internet: <http://www.gfps.com>