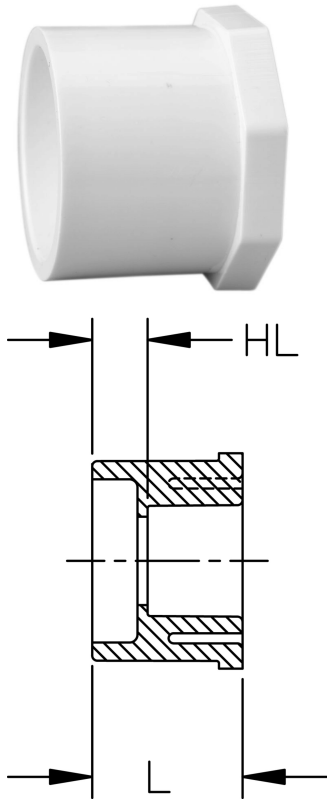


Reducer Bushing (SPGxS) Schedule 40 PVC



Size (inch)	P/L	Code	HL (inch)	L (inch)	Pack Qty
¾ x ½	601	437-101	0.25	1.06	100
1 x ½	601	437-130	0.50	1.25	100
1 x ¾	601	437-131	0.44	1.25	100
1 ¼ x ½	601	437-166	0.81	1.56	25
1 ¼ x ¾	601	437-167	0.75	1.50	25
1 ¼ x 1	601	437-168	0.44	1.50	25
1 ½ x ½	601	437-209	0.88	1.63	25
1 ½ x ¾	601	437-210	0.81	1.63	25
1 ½ x 1	601	437-211	0.69	1.69	25
1 ½ x 1 ¼	601	437-212	0.38	1.56	25
2 x ½	601	437-247	0.94	1.69	10
2 x 1	601	437-249	0.56	1.63	10
2 x ¾	601	437-248	0.88	1.69	10
2 x 1 ¼	601	437-250	0.44	1.69	10
2 x 1 ½	601	437-251	0.38	1.69	25
2 ½ x 1	601	437-289	1.31	2.31	10
2 ½ x 1 ¼	601	437-290	1.00	2.25	10
2 ½ x 1 ½	601	437-291	1.00	2.31	10
2 ½ x 2	601	437-292	0.88	2.25	10
3 x 1	601	437-335	1.44	2.38	10
3 x 1 ¼	601	437-336	1.25	2.44	10
3 x 1 ½	601	437-337	1.13	2.38	10
3 x 2	601	437-338	1.00	2.38	10
3 x 2 ½	601	437-339	0.38	2.38	10
4 x 2	601	437-420	1.00	2.38	5
4 x 2 ½	601	437-421	0.56	2.44	5
4 x 3	601	437-422	0.38	2.38	5
6 x 3	601	437-530	2.06	4.06	5
6 x 4	601	437-532	2.00	4.00	5
8 x 4	601	437-582	3.25	5.25	5
8 x 6	601	437-585	1.75	5.25	5
10 x 4	B09	437-624	4.38	6.38	1
10 x 6	B09	437-626	2.44	5.44	1
10 x 8	B09	437-628	1.38	5.44	1
12 x 3	B09	437-661	5.38	7.38	1
12 x 4	B09	437-664	5.63	7.63	1
12 x 6	B09	437-666	4.13	7.69	1
12 x 8	B09	437-668	2.38	6.44	1
12 x 10	B09	437-670	1.44	6.50	1

The technical data are not binding. They neither constitute expressly warranted characteristics nor guaranteed properties nor a guaranteed durability. They are subject to modification. Our General Terms of Sale apply.

Georg Fischer Piping Systems Ltd, Postfach, CH-8201 Schaffhausen/Switzerland Phone +41 -(0)52-631 1111 e-mail: info.ps@georgfischer.com Internet: <http://www.gfps.com>