



## PROGEF Standard Diaphragm valve type 317 With flanges metric

### Model:

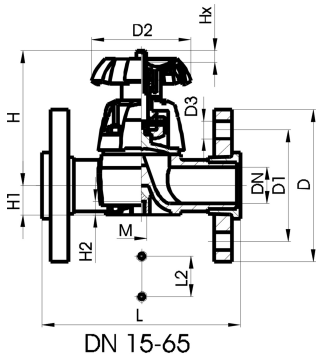
- Material: PP-H
- Joining faces flat/serrated
- DN65 with PP-V backing flange
- DN 80-150 with fixed flange
- Overall length according to EN 558
- Connecting dimension: ISO 7005 / EN 1092 / DIN 2501 PN10 / BS4504

### Option:

- Handwheel lockable DN65 (basic version not lockable)

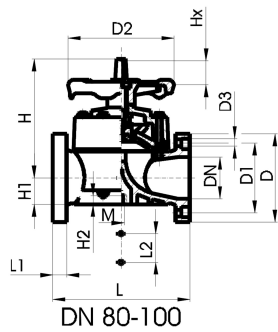
### \* DN80 and DN150 fixed flanges metric and inch ANSI B16.5

	d (mm)	DN (mm)	Size (inch)	PN (bar)	kv-value ( $\Delta p=1$ bar) (L/min)	NBR Code	Weight (kg)	EPDM Code	Weight (kg)
	75	65	2 1/2	10	992	<b>167 317 158</b>	4.700	<b>167 317 173</b>	4.651
*	90	80	3	10	1700	<b>167 317 009</b>	7.954	<b>167 317 024</b>	8.689
	110	100	4	10	2700	<b>167 317 010</b>	11.291	<b>167 317 025</b>	11.237
*	160	150	6	7	6033	<b>167 317 012</b>	25.000	<b>167 317 027</b>	24.707

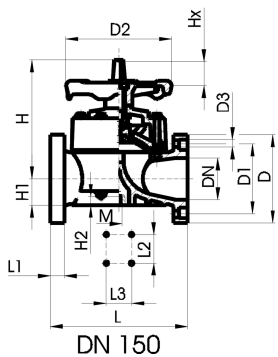


### d PTFE with Weight (mm) EPDM supporting diaphragm Code

	75	<b>167 317 188</b>	5.480
*	90	<b>167 317 039</b>	8.088
	110	<b>167 317 040</b>	11.439
*	160	<b>167 317 042</b>	25.000



	d (mm)	D (mm)	D1 (mm)	D2 (mm)	D3 (mm)	H (mm)	H1 (mm)	H2 (mm)	L (mm)	L1 (mm)	L2 (mm)	L3 (mm)	M	Lift = Hx (mm)	AL
	75	185	145	152	18	210	46	15	290		70		M8	35	4
*	90	200	160	270	18	265	57	23	310	35	120		M12	40	8
	110	225	180	270	18	304	69	23	350	38	120		M12	50	8
*	160	282	241	400	23	437	108	23	480	29	100	200	M12	70	8



The technical data are not binding. They neither constitute expressly warranted characteristics nor guaranteed properties nor a guaranteed durability. They are subject to modification. Our General Terms of Sale apply.

# Data sheet

valid from: 3/12/25



---

Georg Fischer Piping Systems Ltd, Postfach, CH-8201 Schaffhausen/Switzerland Phone +41 -(0)52-631 1111 e-mail:  
info.ps@georgfischer.com Internet: <http://www.gfps.com>