



## 电动执行器# EA15/25/45/120/250型

### 型号:

- 加热元件，位置反馈（开/关/中间位置）
- 全系: 标配可调加热挡位并配备七段式故障指示灯
- EA15: 控制信号 开位/关位；反馈信号 开/关
- EA25 - 250: 控制信号 开位/关位/中间位；反馈信号 开/关/中间位/就绪
- cUL E247458
- 防护等级：IP68

### 选项:

- 全系列可选配 失效复位模块
- EA25-250型可选附件：失效返回单元，监测板，定位器，Profibus DP板，Modbus TCP板，Ethernet Interface卡

\*带轴套补芯 198 000 587 F05 / SW 11, 198 204 057 F05 / SW 14

Type of actuator	电压	Torque nominal (N/m)	Torque maximal (N/m)	Interfaces
EA15	100-230V AC	10	20	F05 (SW 11/14)*
EA15	24V AC/DC	10	20	F05 (SW 11/14)*
EA25	100-230V AC	10	25	F05 (SW 11/14)*
EA25	24V AC/DC	10	25	F05 (SW 11/14)*
EA45	100-230V AC	20	45	F05 (SW 11/14)*
EA45	24V AC/DC	20	45	F05 (SW 11/14)*
EA120	100-230V AC	60	120	F07 (SW17)
EA120	24V AC/DC	60	120	F07 (SW17)
EA250	100-230V AC	100	250	F07 (SW22)
EA250	24V AC/DC	100	250	F07 (SW22)
EA15 cUL marked	100-230V AC	10	20	F05 (SW 11/14)*
EA15 cUL marked	24V AC/DC	10	20	F05 (SW 11/14)*
EA25 UL marked	100-230V AC	10	25	F05 (SW 11/14)*
EA25 cUL marked	24V AC/DC	10	25	F05 (SW 11/14)*
EA45 cUL marked	100-230V AC	20	45	F05 (SW 11/14)*
EA45 cUL marked	24V AC/DC	20	45	F05 (SW 11/14)*
EA120 cUL marked	100-230V AC	60	120	F07 (SW17)
EA120 cUL marked	24V AC/DC	60	120	F07 (SW17)
EA250 cUL marked	100-230V AC	100	250	F07 (SW22)
EA250 cUL marked	24V AC/DC	100	250	F07 (SW22)

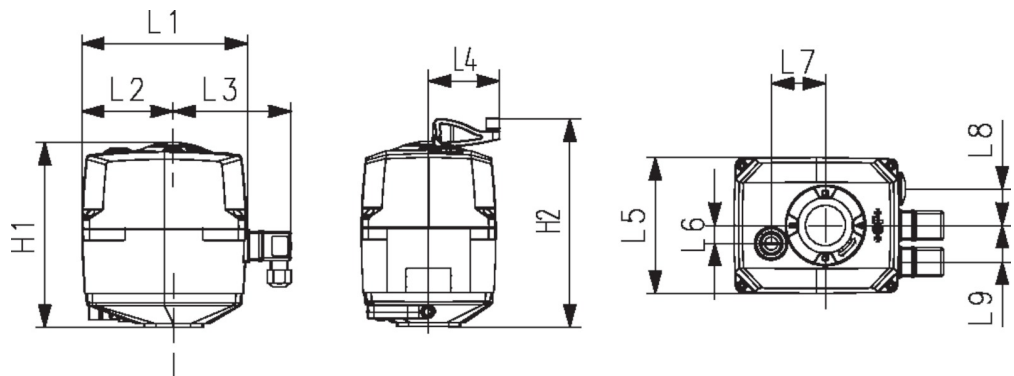
Type of actuator	code
EA15	198 153 180
EA15	198 153 181
EA25	198 153 182
EA25	198 153 183
EA45	198 153 184
EA45	198 153 185
EA120	198 153 186
EA120	198 153 187
EA250	198 153 188
EA250	198 153 189
EA15 cUL marked	198153200
EA15 cUL marked	198 153 201
EA25 UL marked	198 153 202
EA25 cUL marked	198 153 203
EA45 cUL marked	198 153 204
EA45 cUL marked	198 153 205
EA120 cUL marked	198 153 206
EA120 cUL marked	198 153 207
EA250 cUL marked	198 153 208
EA250 cUL marked	198 153 209

# Data sheet

valid from: 2026/4/17



Type of actuator	H1 (mm)	H2 (mm)	L1 (mm)	L2 (mm)	L3 (mm)	L4 (mm)	L5 (mm)	L6 (mm)	L7 (mm)	L8 (mm)	L9 (mm)
EA15	137	158	122	83,0	77	64,3	122	16	49		33
EA15	137	158	122	83,0	77	64,3	122	16	49		33
EA25	167	188	150	82,5	107	64,3	122	16	49	33	33
EA25	167	188	150	82,5	107	64,3	122	16	49	33	33
EA45	167	188	150	82,5	107	64,3	122	16	49	33	33
EA45	167	188	150	82,5	107	64,3	122	16	49	33	33
EA120	190	212	150	82,5	107	64,3	122	16	49	33	33
EA120	190	212	150	82,5	107	64,3	122	16	49	33	33
EA250	200	221	150	82,5	107	64,3	122	16	49	33	33
EA250	200	221	150	82,5	107	64,3	122	16	49	33	33
EA15 cUL marked	167	189	150	78,0	108	64,0	122	16	49	33	33
EA15 cUL marked	167	189	150	78,0	108	64,0	122	16	49	33	33
EA25 UL marked	167	189	150	83,0	98	64,0	122	16	49	33	33
EA25 cUL marked	167	189	150	83,0	98	64,0	122	16	49	33	33
EA45 cUL marked	167	189	150	83,0	98	64,0	122	16	49	33	33
EA45 cUL marked	167	189	150	83,0	98	64,0	122	16	49	33	33
EA120 cUL marked	190	212	150	83,0	98	64,0	122	16	49	33	33
EA120 cUL marked	190	212	150	83,0	98	64,0	122	16	49	33	33
EA250 cUL marked	200	221	150	83,0	98	64,0	122	16	49	33	33
EA250 cUL marked	200	221	150	83,0	98	64,0	122	16	49	33	33



The technical data are not binding. They neither constitute expressly warranted characteristics nor guaranteed properties nor a guaranteed durability. They are subject to modification. Our General Terms of Sale apply.

Georg Fischer Piping Systems Ltd, Postfach, CH-8201 Schaffhausen/Switzerland Phone +41 -(0)52-631 1111 e-mail: info.ps@georgfischer.com Internet: <http://www.gfps.com>